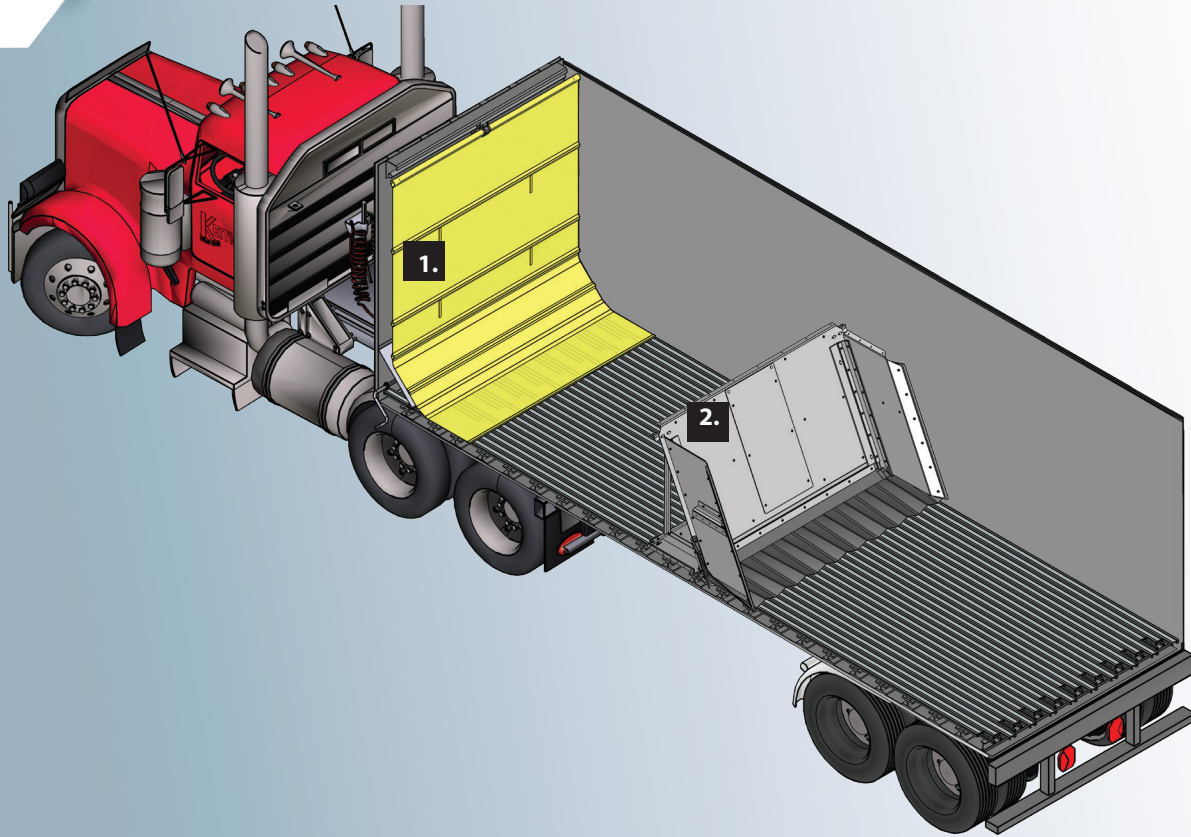




KEITH Trailer Sweep Systems

Material Clean Out Systems for Moving Floor Trailers



KEITH the first name in Unloading.

Why Choose a KEITH Trailer Sweep System?

For years, haulers have created their own clean-out systems for moving floor trailers using tarps, wood headboards and other materials. Many may clean the trailer, but require the operator to enter the trailer to reset the system. This creates a potential safety hazard, as there is a risk of injury each time the operator enters or exits the trailer.

KEITH® offers a variety of sweep systems that automatically retract and reset, with no need for the operator to enter the trailer.

1. KEITH CleanSweep® Tarp System
2. KEITH Sweep System

How it Works

KEITH trailer sweep systems are powered by the moving floor and travel at the same speed as the material unloading. The bulk material's weight on the tarp pulls the sweep system with the load. An automatic retrieval system returns the sweep to the front of the trailer.

KEITH Manufacturing Co.
1-800-547-6161
www.keithwalkingfloor.com

©2017 KEITH Manufacturing Co. All Rights Reserved. KEITH, KEITH logo and WALKING FLOOR are registered trademarks of KEITH Manufacturing Co. Equipment manufactured by KEITH Manufacturing Co. is protected by numerous patents both domestic and foreign.

KEITH
MANUFACTURING CO



KEITH Trailer Sweep Systems

Material Clean Out Systems for Moving Floor Trailers

CleenSweep® Tarp System

As the *WALKING FLOOR*® system unloads the trailer, the weight of the load pulls the tarp along the floor, cleaning as it goes.

- Lightweight system takes up virtually no payload.
- Eliminates brooms and manual tarps, reducing the risk of driver injuries.
- Faster cleanout between loads.
- Electric system is easy to install.
- Tarp retracts at the push of a button.
- Battery operated, charges off trailer's power.



KEITH Sweep System

Custom designed for use with high-density materials that do not clean out well with a traditional tarp system.

- Forms to the floor and walls, cleaning as trailer unloads.
- Ideal for cleaning out materials such as aggregate, asphalt, glass and construction debris.
- Rigid and durable design.
- Works with V-FLOOR® and smooth floor slats.
- Hydraulic winch option uses same oil that powers the floor's hydraulic system.

