



KEITH V-FLOOR® / V-SWEEP™ Trailer Design Requirements



Original Instructions

©2017 KEITH Manufacturing Co. All Rights Reserved. KEITH, KEITH logo and WALKING FLOOR are registered trademarks of KEITH Manufacturing Co. Equipment manufactured by KEITH Manufacturing Co. is protected by numerous patents both domestic and foreign.

www.keithwalkingfloor.com

KEITH Manufacturing Co.
World Headquarters
800-547-6161
541-475-3802
541-475-2169 fax

Revised 8.7.17

Trailer Design Requirements:

IMPORTANT!

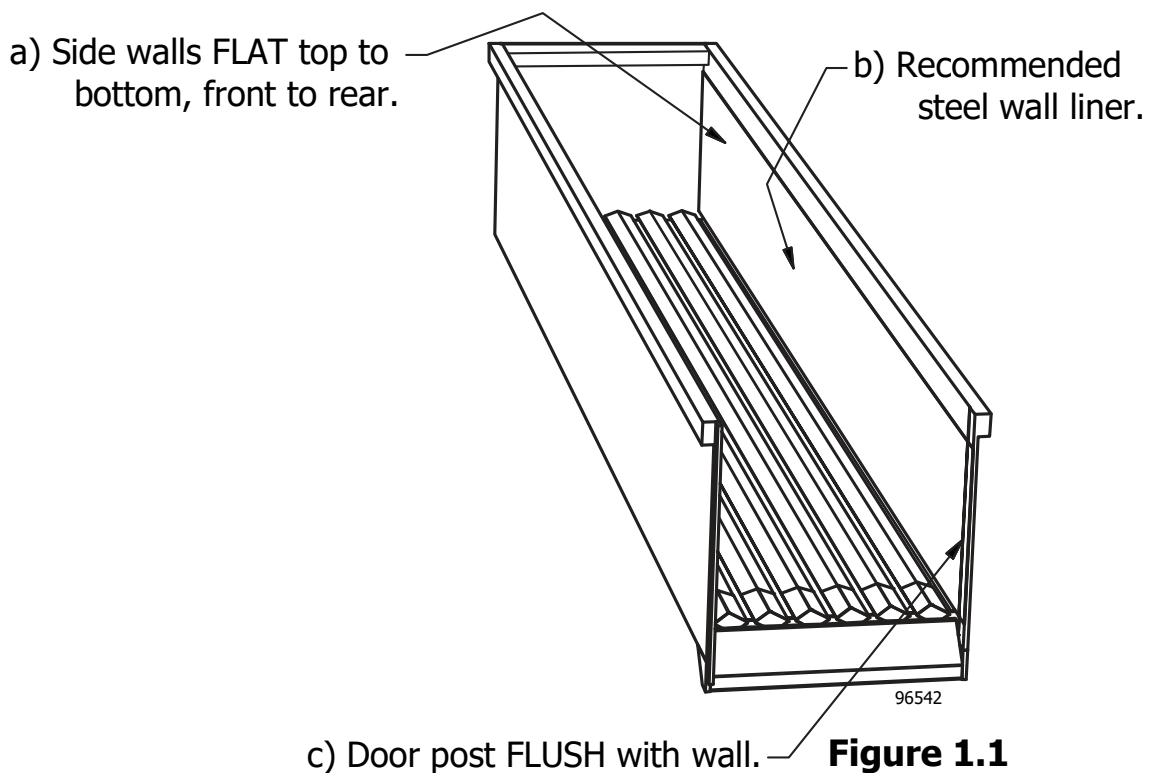
Installing a KEITH® V-FLOOR® system requires special attention to several trailer details. Following the checklist below will ensure the proper operation of the V-SWEEP™ system.

Please refer to the technical instructions and drawings for complete installation directions.

1. Side Walls:

Figure 1.1

- Side walls must be flat from top rail to floor side seal, front to rear.
No protrusions (welds, bolts, etc.)
- Walls can be steel, aluminum or lined.
- Door post must be flush with wall at door opening—NO EXCEPTIONS.



2. Front Wall:

Figure 2.1

- The V-SWEEP™ winch must be mounted on the center line of the trailer, perpendicular to the floor, to align with the strap attachment on the V-SWEEP™ headboard assembly. If a strap roller is used, it must also be mounted on the center line of the trailer and be perpendicular to the floor.
- The front wall needs to be reinforced where the winch mounting bracket and the strap roller are attached and where the V-SWEEP™ headboard assembly bump stop makes contact with the front wall.
- Check for clearance if front corners of trailer are rounded.

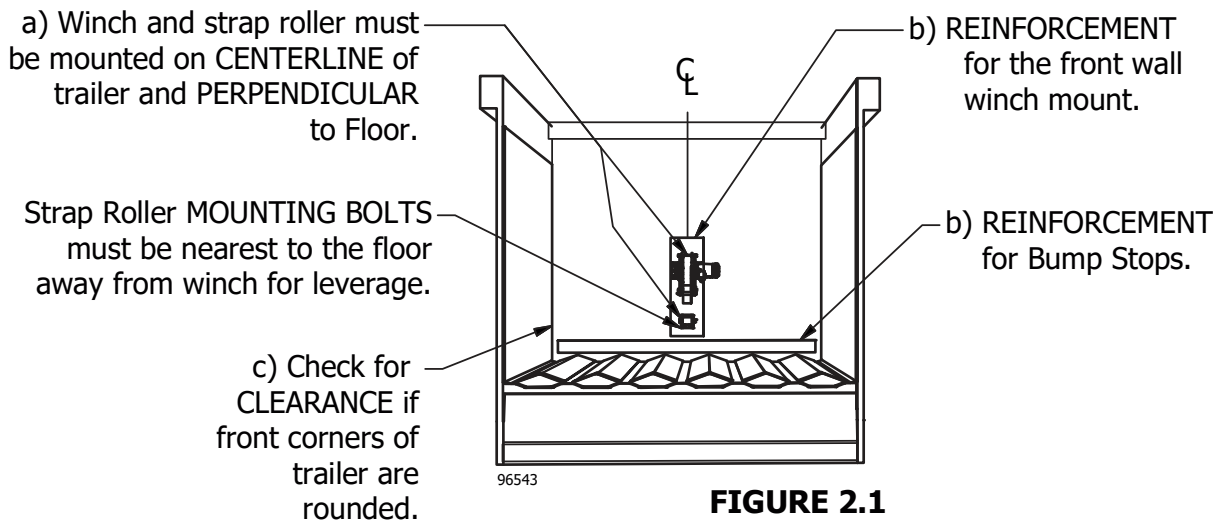
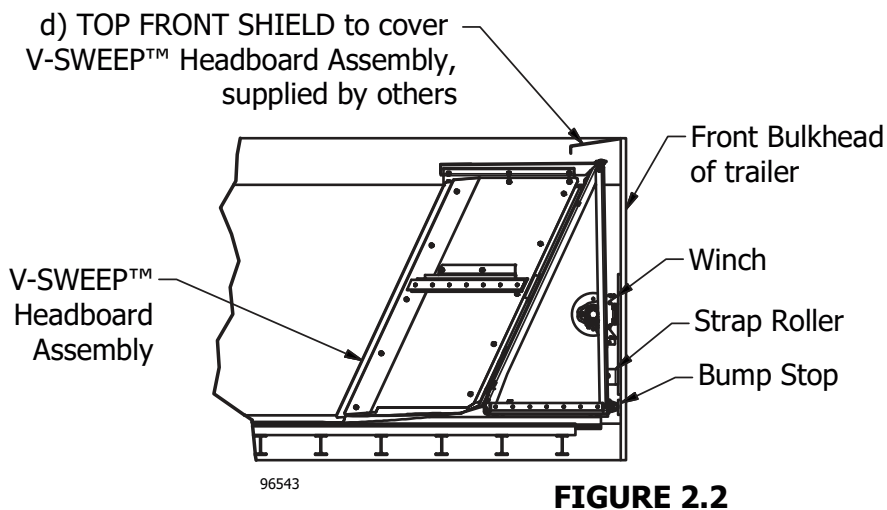


Figure 2.2

- The top front shield must be installed above the V-SWEEP™ headboard assembly, extending far enough to keep material from falling behind the V-SWEEP™ system, but not so far as to prevent material from loading onto the V-SWEEP™ floor tarp. (Top front shield is not supplied by KEITH)



3. Rear Threshold:

Figure 3.1

- a. The rear threshold must be at a 45° angle (not flat) starting at 9" minimum from the inside of the door, requiring the door to be 9" longer.

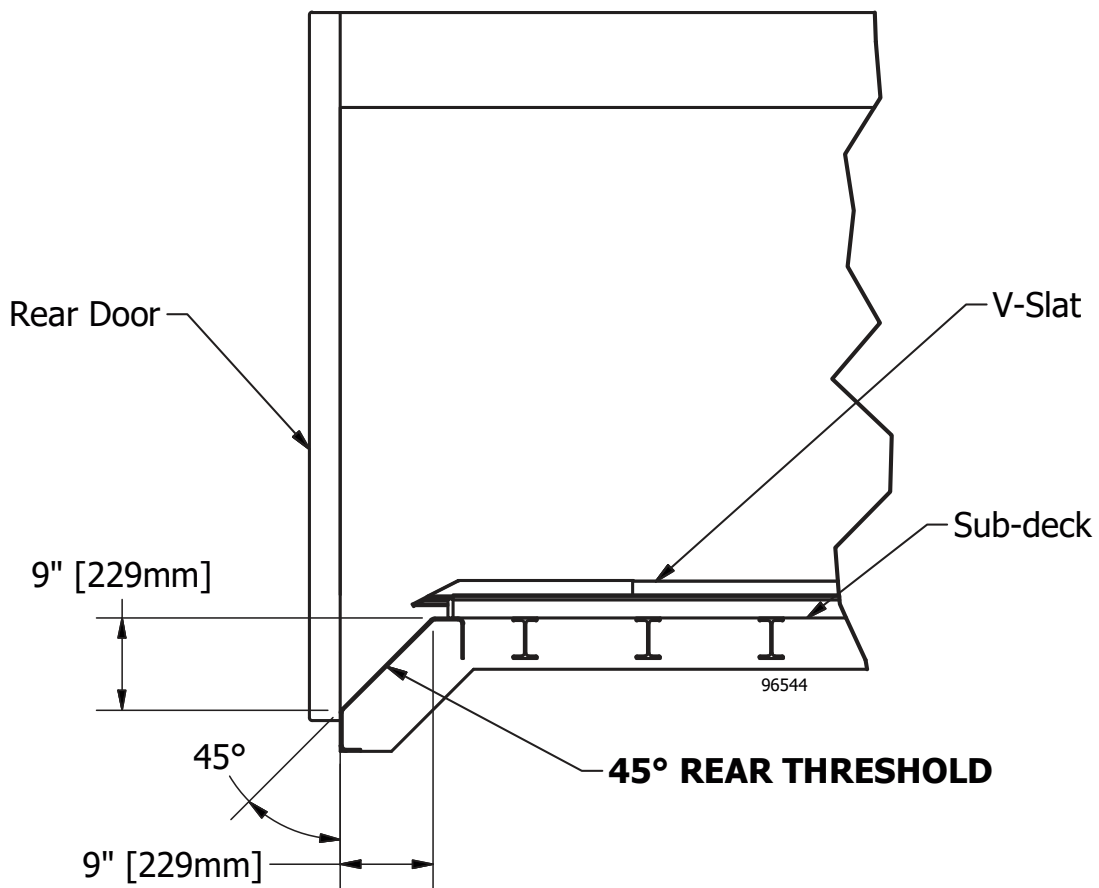


Figure 3.1

4. Floor Components:

Figure 4.1

- a. All floor components must be steel from wall to wall, including side seals.

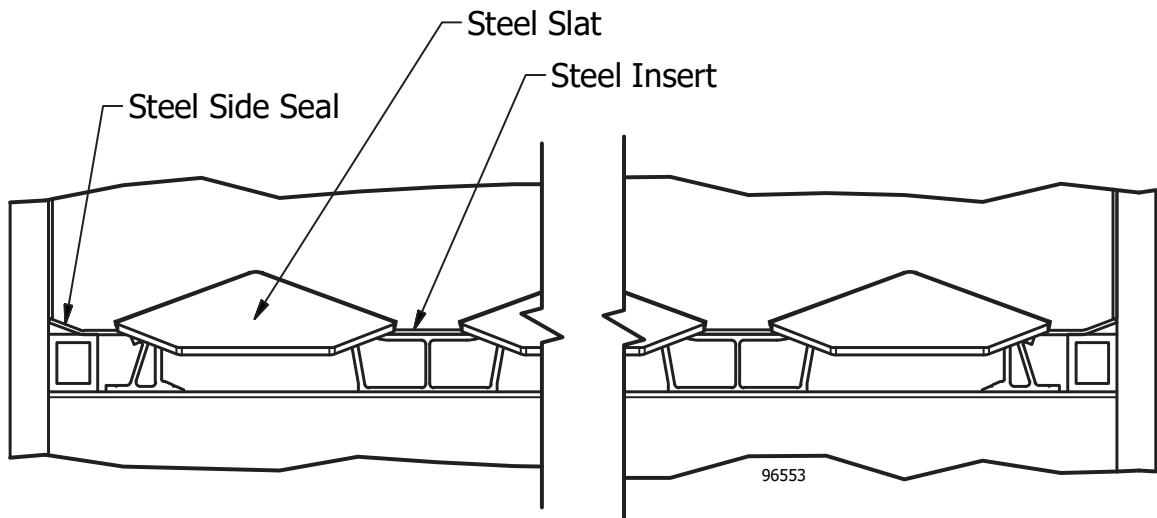


Figure 4.1

All floor components must be STEEL from wall to wall, including side seals.

5. Side Seal

Figure 5.1-5.2

- Side seal must include a 20° angle from wall to flat.
- Steel side seal should be attached to trailer using counter sunk rivets, counter sunk bolts or welded.
- The area where the side seal meets the side wall must be free of protrusions (welds).

