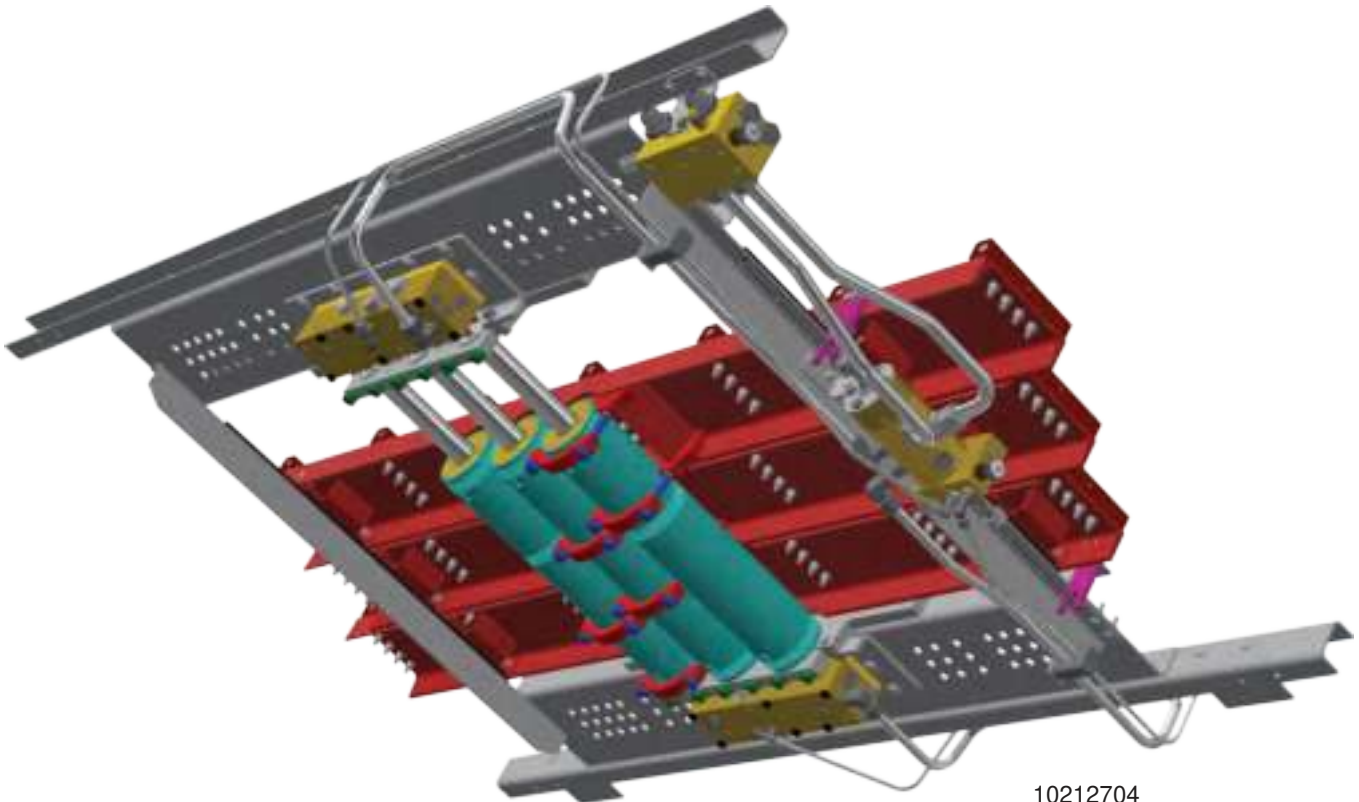


KEITH
MANUFACTURING CO

S-Drive™

KEITH Manufacturing Co.
www.KeithWalkingFloor.com
World Headquarters
Toll-Free: 800-547-6161
Phone: 541-475-3802
Fax: 541-475-2169



10212704

PARTS CATALOG

© 2022, KEITH Manufacturing Co. All rights reserved KEITH, WALKING FLOOR are registered trademarks of KEITH Manufacturing Co. Equipment manufactured by KEITH Manufacturing Co. is protected by numerous patents both domestic and foreign. WALKING FLOOR® is a product and brand of Keith Manufacturing Co.

Table of Contents

Parts & Service Department Contact Information	ii
FRAME ASSEMBLY	1
CROSS-DRIVE ASSEMBLY	2
CYLINDER ASSEMBLY	3
MANIFOLD ASSEMBLY	5
MANIFOLD CHECK VALVE ASSEMBLY	7
MANIFOLD END FITTING CONFIGURATIONS	8
ROD TO MANIFOLD CONNECTOR COMPONENTS	9
MANIFOLD SHIM PLATE	10
SWITCHING VALVE & CONTROL VALVE ASSEMBLY	11
ON / OFF VALVE ASSEMBLY	13
HYDRAULIC TUBING	15

Parts & Service Department Contact Information

KEITH Manufacturing Co.**World Headquarters****Parts & Service**

401 NW Adler St.

P.O. Box 1

Madras, OR 97741

800-547-6161

541-475-3802

541-475-2169 fax

Sales@KeithWalkingFloor.com

Canada

Brantford, ON

(519) 756-9178

CanadaSales@KeithWalkingFloor.com

México

Guadalajara, Jal.

52-333-616-5079

KMC_Mexico@KeithWalkingFloor.com

Australia

Waverley Gardens, VIC

61-3-9562-2190

AUSales@KeithWalkingFloor.com

Europe

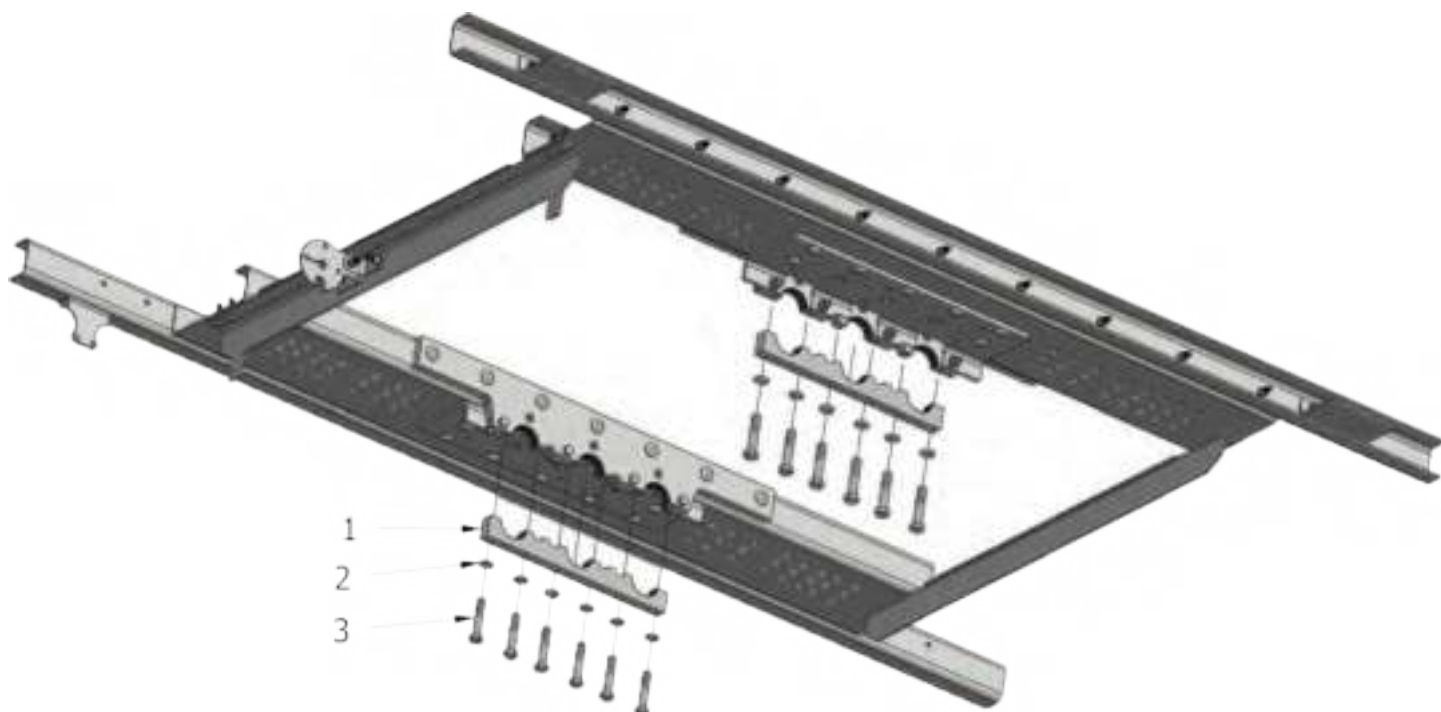
Barneveld, The Netherlands

31-342-422007

EuroSales@KeithWalkingFloor.com

Not all parts or services available in all regions. Contact your regional representative for information on available parts and services.

FRAME ASSEMBLY

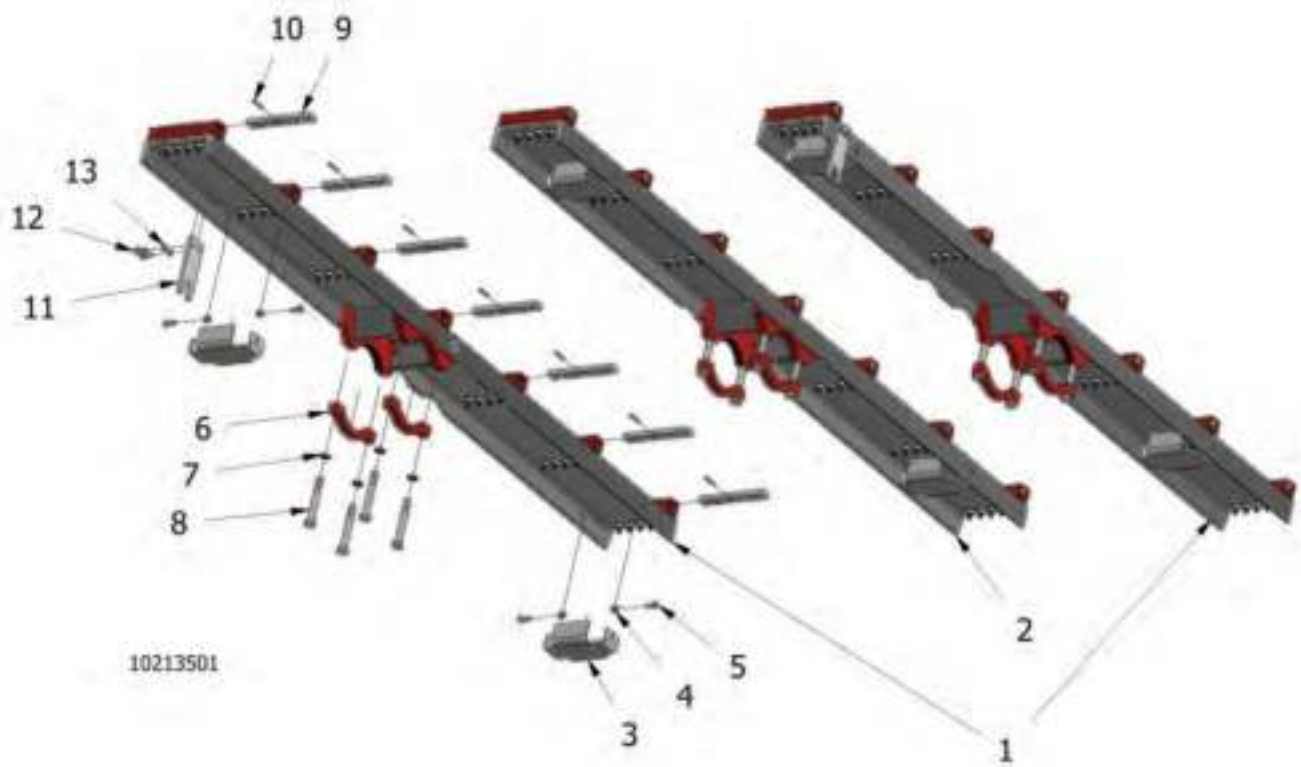


09977101

FRAME ASSEMBLY

ID #	QTY	PART #	DESCRIPTION
-	-	09977101	S-DRIVE FRAME, 6.125 CYLINDER CENTERS (Includes items 1-3)
1	2	06200901	Lower Triple Rod Clamp
2	12	87078000	Lock Washer 16mm
3	12	87017010	Bolt, M16x80mm

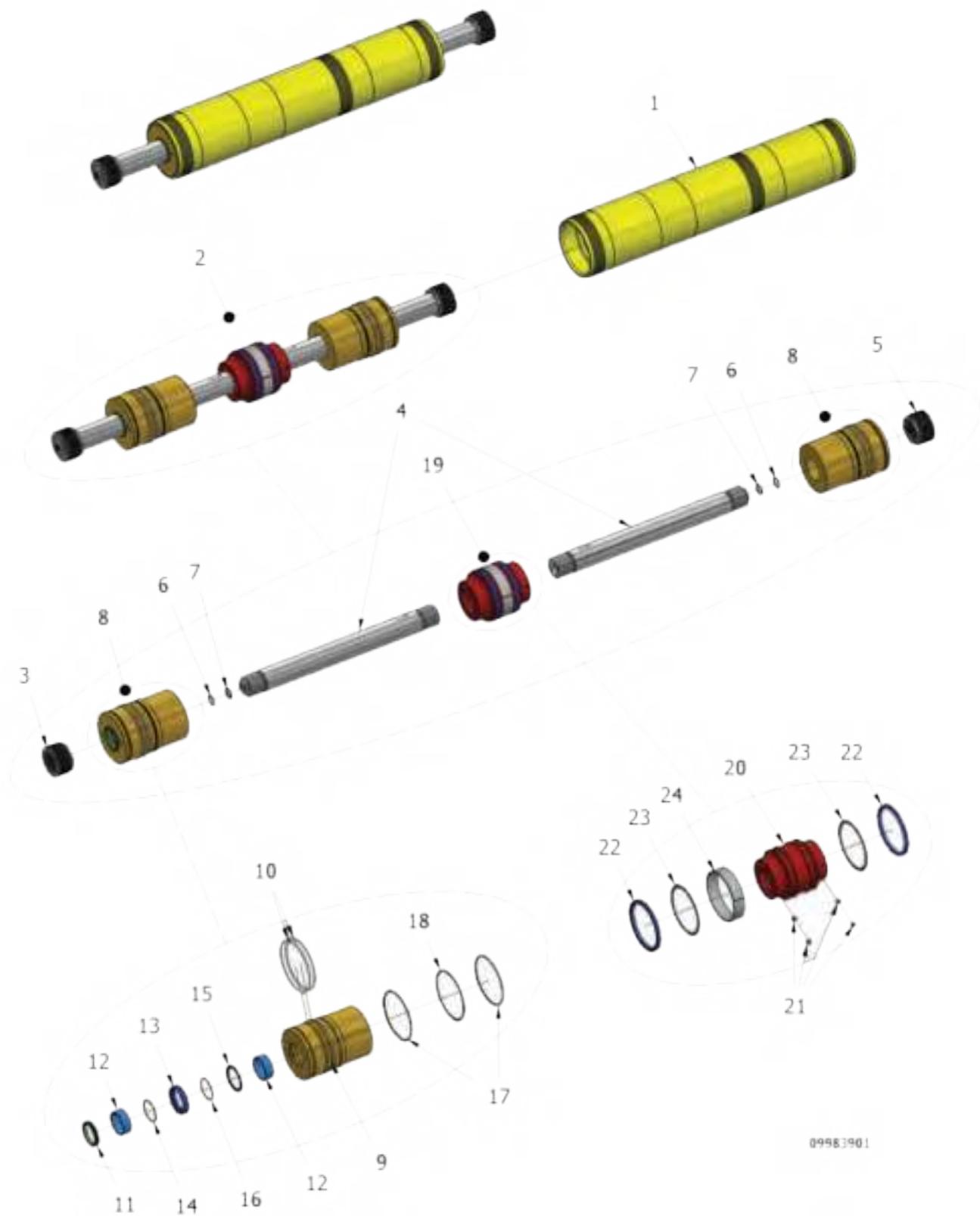
CROSS-DRIVE ASSEMBLY



CROSS-DRIVE ASSEMBLY

ID #	QTY	PART #	DESCRIPTION
-	-	10213501	CROSS-DRIVE SET, 112mm SC, 21 Slat, 4.25 Bore (Includes items 1-13)
1	2	10213502	#1 & #3 C8X13.75 Channel, Cross-Drive Assy
2	1	10213503	#2 C8X13.75 Channel, Cross-Drive Assy
3	6	10214001	Spacer for Cross-Drive Support
4	12	87102000	Nut Hex Nylock 10mm
5	12	87701800	Bolt Floor 10mmX30mm
6	6	06200301	4-1/4" Lower Barrel Clamp
7	24	86559090	5/8 Nordlock Washer Half
8	12	87018500	Bolt Hex GR10.9 16mmx120mm
9	21	09910701	Nut Bar Cross-Drive S-Drive
10	21	86651450	Pin Roll 1/4"X1-1/2" Zinc
11	2	09950801	Switching Valve Actuator
12	4	87008480	Bolt Hex 10.9 10mmX25mm
13	4	87076500	Washer Lock 10mm

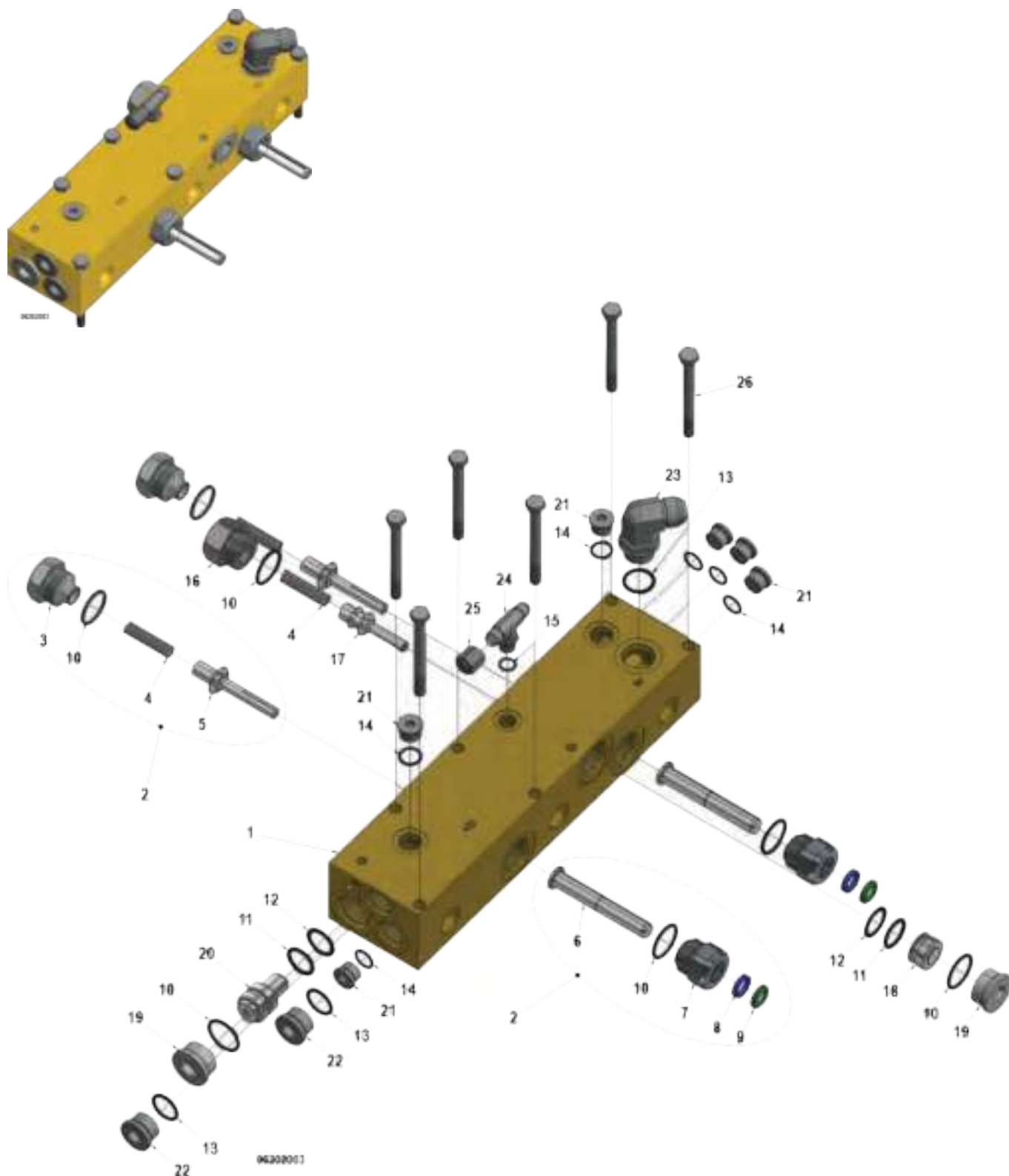
CYLINDER ASSEMBLY



CYLINDER ASSEMBLY

ID#	QTY	PART #	DESCRIPTION
-	-	09983901	CYLINDER ASEMBLY, 4.25 Bore, 8" Stroke (Includes items 1-24)
1	1	09874201	Barrel 5.0 X 4.25, 425 Cylinder Assy, 8" Stroke
2	1	06247601	ROD ASSEMBLY w/PISTON & HEADS (Includes items 3-8 & 19)
3	1	05732001	Stationary Rod Nut
4	2	05828001	45mm ROD 5/8" I.D.
5	1	05730101	Adjustable Rod Nut
6	2	84390400	209 Back-up Buna 90
7	2	84380000	209 O-Ring Buna 90
8	2	09950901	HEAD ASSEMBLY (Includes items 9-18)
9	1	09951001	Aluminum Head 425 S-Drive
10	2	06201701	4.25" Wire Lock
11	1	84426605	Wiper, Rod, 45mm
12	2	84401205	Wear Ring, Cylinder Rod, 45mm, PTFE (Blue)
13	1	84354200	Rod Seal, R2 Cylinder 45mm
14	1	w/Seal	Backup Ring, Rod Seal 45mm (comes w/84354200)
15	1	84400201	Seal, Buffer 45mm
16	1	w/Seal	Backup Ring, 45mm (comes w/84400201)
17	2	84385230	242 O-Ring Buna 90
18	1	84393230	240 Back-up Buna 90
19	1	06201301	PISTON ASSEMBLY (Includes items 20-24)
20	1	06201401	4.25" Steel Piston
21	4	87007990	Screw Set Cup Point M10x1.5 x 8
22	2	84352510	Seal Piston Cylinder 4.25"
23	2	84352511	4.25" Piston Seal Back-Up Ring
24	1	84403852	Wear Ring Piston 4.25"
-	-	06201801	CYLINDER SEAL KIT (Includes items 6-7, 10-18, 22-24)

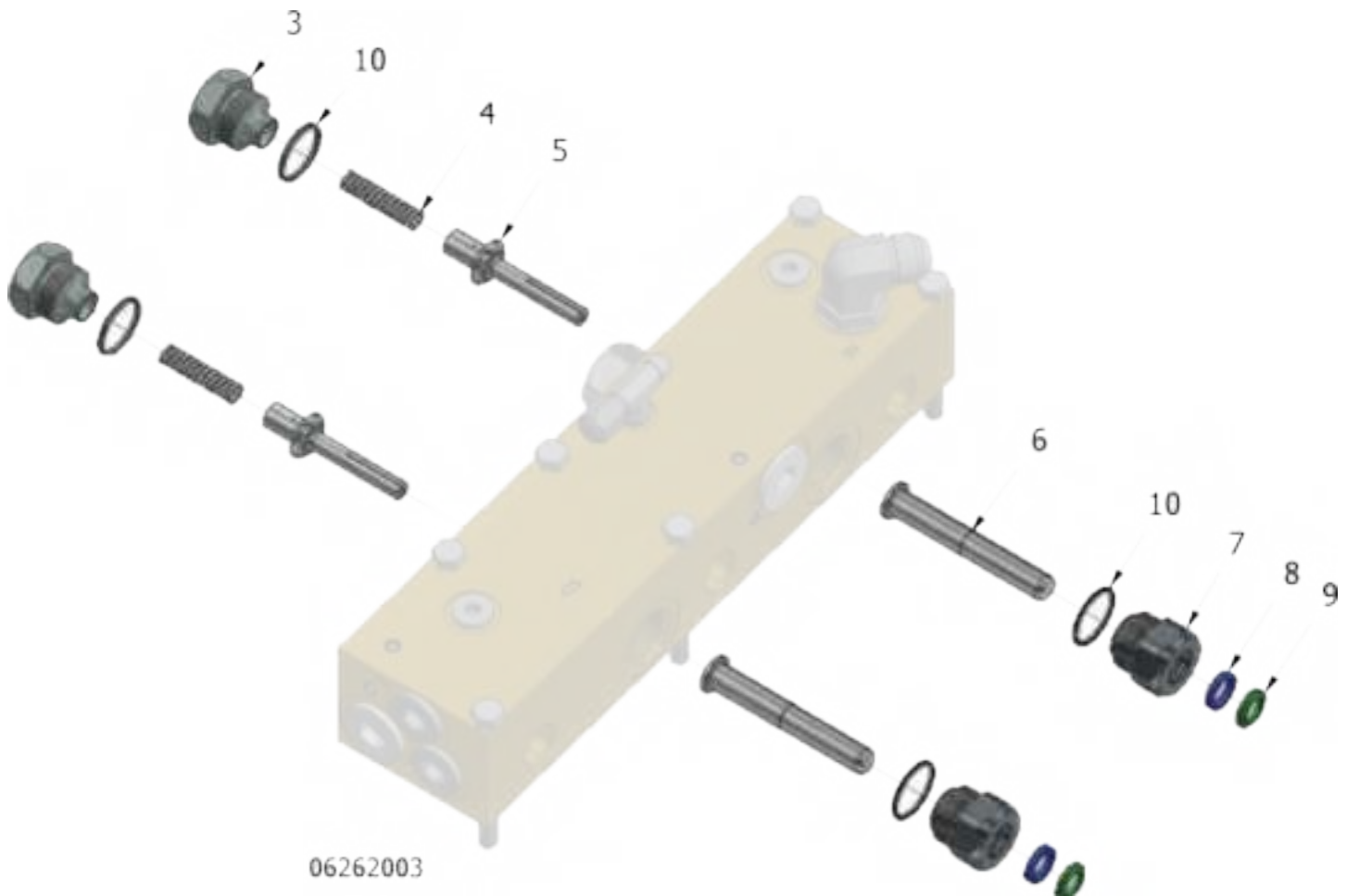
MANIFOLD ASSEMBLY



MANIFOLD ASSEMBLY

ID#	QTY	PART #	DESCRIPTION
-	-	06202003	MANIFOLD ASSEMBLY, Load Or Unload End w/Fittings (Includes items 1-26)
1	1	06202101	Manifold Body
2	-	10146501	CHECK VALVE ASSEMBLY (Includes items 3-10)
3	2	05754801	Check Valve Spring End Cap
4	3	84453400	Spring Check Valve External Large
5	2	01766901	Check Valve
6	2	10146801	Check Valve Plunger To Fit Bronze Sleeve Bearing
7	2	10146701	Plunger End Cap Fitted With Bushing
8	3	84352200	Seal Rod 5/8" Check Valve External
9	3	84426800	Plunger Wiper Check Valve External 5/8"
10	8	84387800	916 O-Ring Buna 90
11	2	84381200	213 O-Ring Buna 90
12	2	84391200	8-213 Back-up Buna 90
13	3	84387400	912 O-Ring Buna 90
14	6	84387000	908 O-Ring Buna 90
15	2	84386800	906 O-Ring Buna 90
16	1	05849001	Control Valve Spring End Cap
17	1	05793401	Control Valve Check Valve
18	1	05793301	Control Valve Piston
19	2	84687900	16 HP5ON-S Hollow Hex Plug M O-Ring Hex Socket
20	1	05849801	Poppet Control Valve
21	6	84687500	08 HP5ON-S Hollow Hex Plug M O-Ring
22	2	84687700	12 HP5ON-S Hollow Hex Plug M O-Ring
23	1	84691500	12 C5OX-S Straight Thread Elbow MJIC X ADJ
24	1	84692000	06 S5OX-S Straight Thread Tee MJIC X MJIC X ADJ O-Ring
25	1	84703300	06 FNTX-S 3/8" Cap Nut
26	6	87011000	Hex Bolt - M10 x 1.5 x 100
-	-	06074501	MANIFOLD SEAL KIT (Includes items 8-15, 32-33)

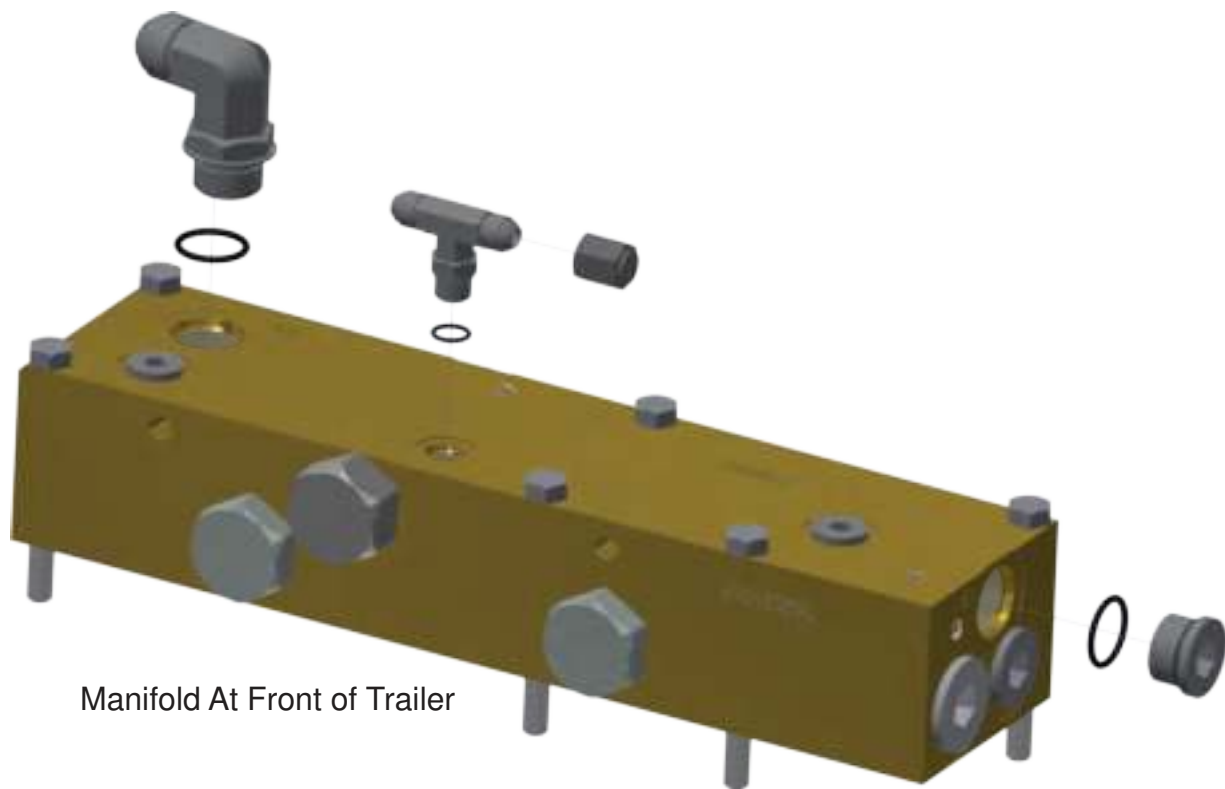
MANIFOLD CHECK VALVE ASSEMBLY



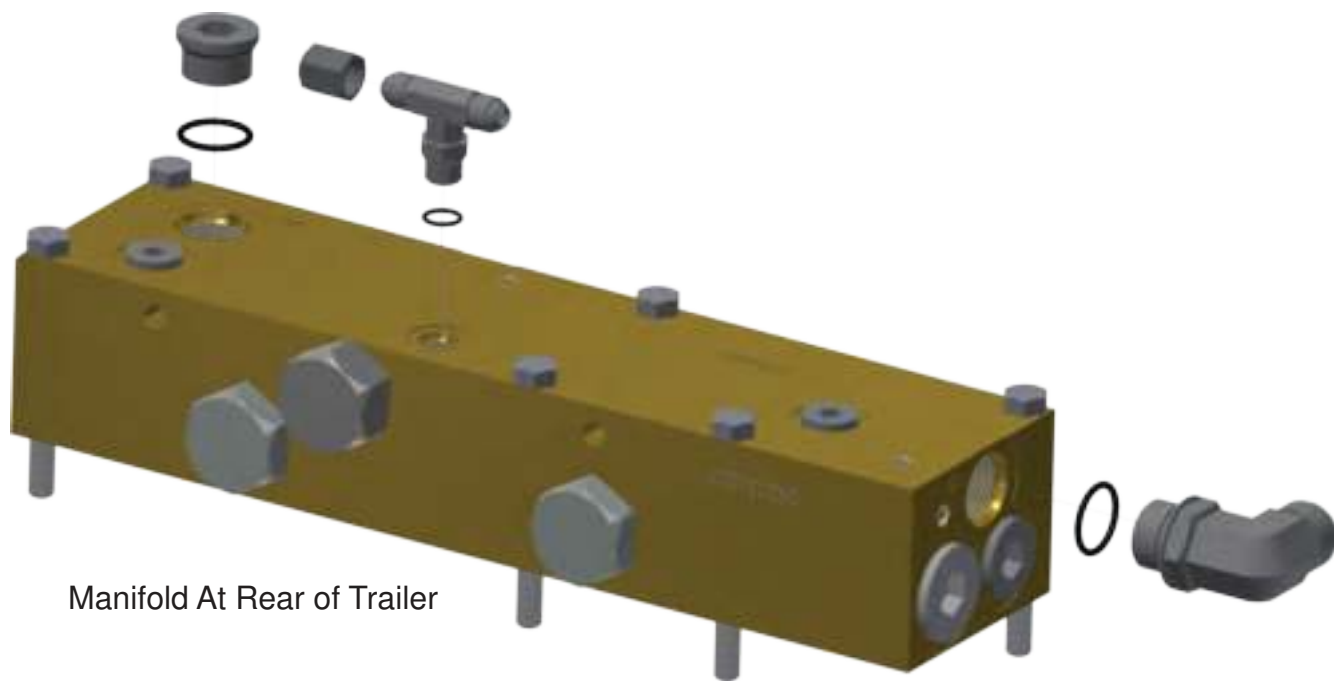
MANIFOLD CHECK VALVE ASSEMBLY

ID #	QTY	PART #	DESCRIPTION
2	-	10146501	CHECK VALVE ASSEMBLY (Includes items 3-10)
3	1	05754801	Check Valve Spring End Cap
4	1	84453400	Spring Check Valve External Large
5	1	01766901	Check Valve
6	1	10146801	Check Valve Plunger To Fit Bronze Sleeve Bearing
7	1	10146701	Plunger End Cap Fitted With Bushing
8	1	84352200	Seal Rod 5/8" Check Valve External
9	1	84426800	Plunger Wiper Check Valve External 5/8"
10	2	84387800	916 O-Ring Buna 90

MANIFOLD END FITTING CONFIGURATIONS

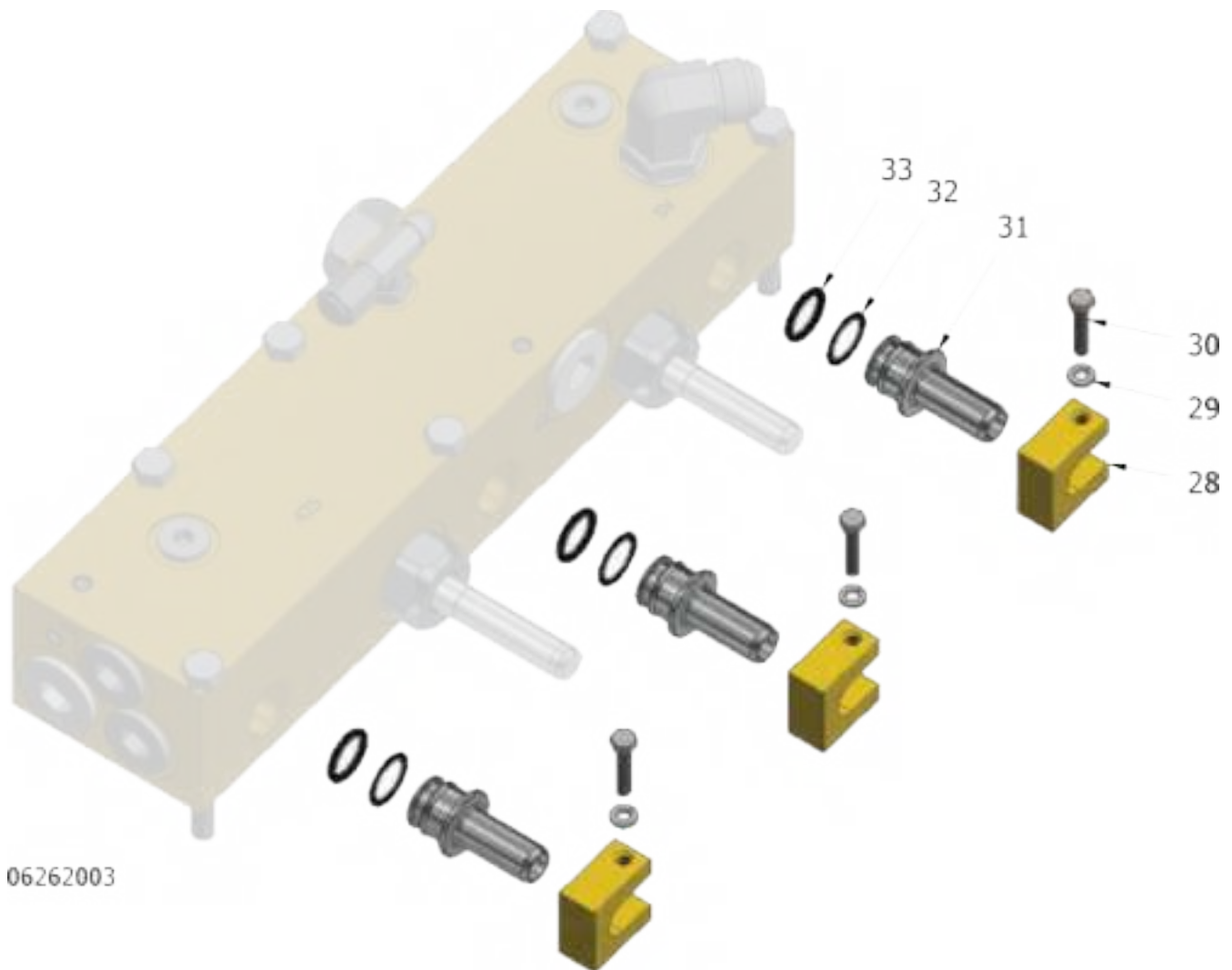


Manifold At Front of Trailer



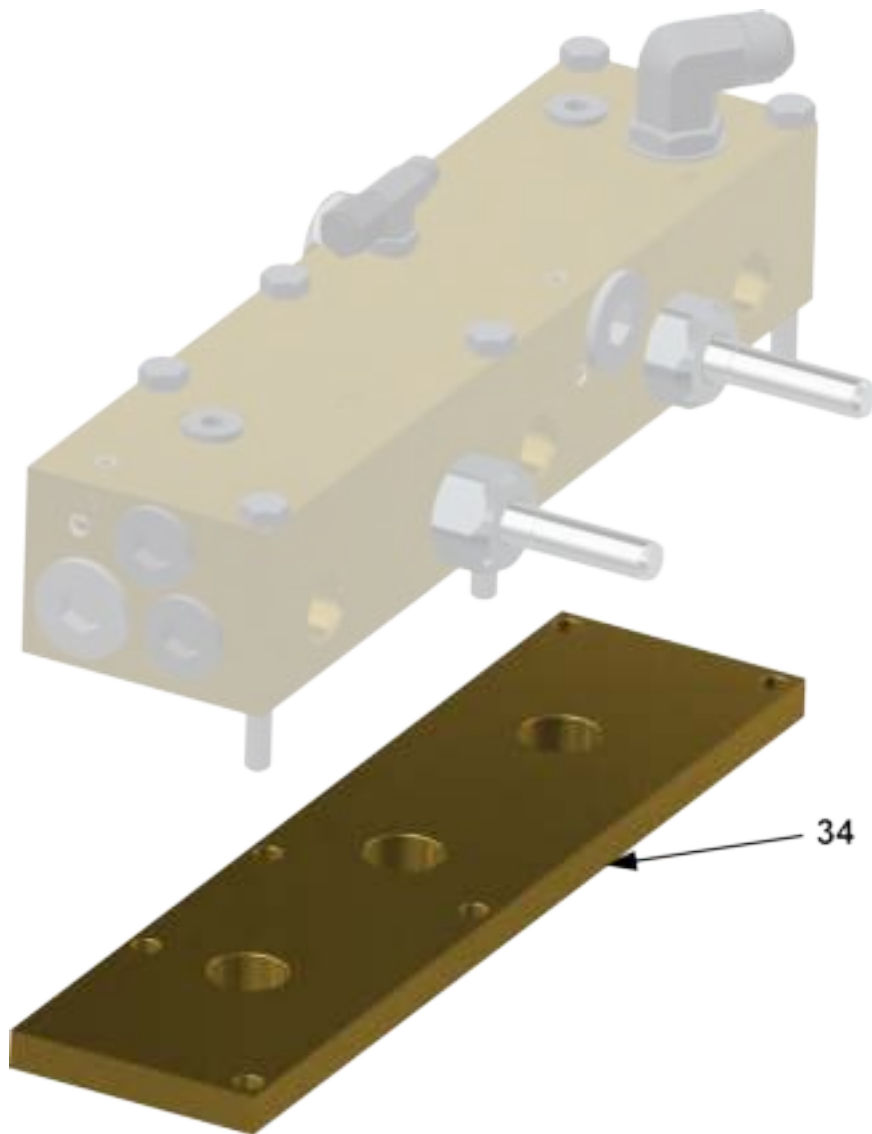
Manifold At Rear of Trailer

ROD TO MANIFOLD CONNECTOR COMPONENTS



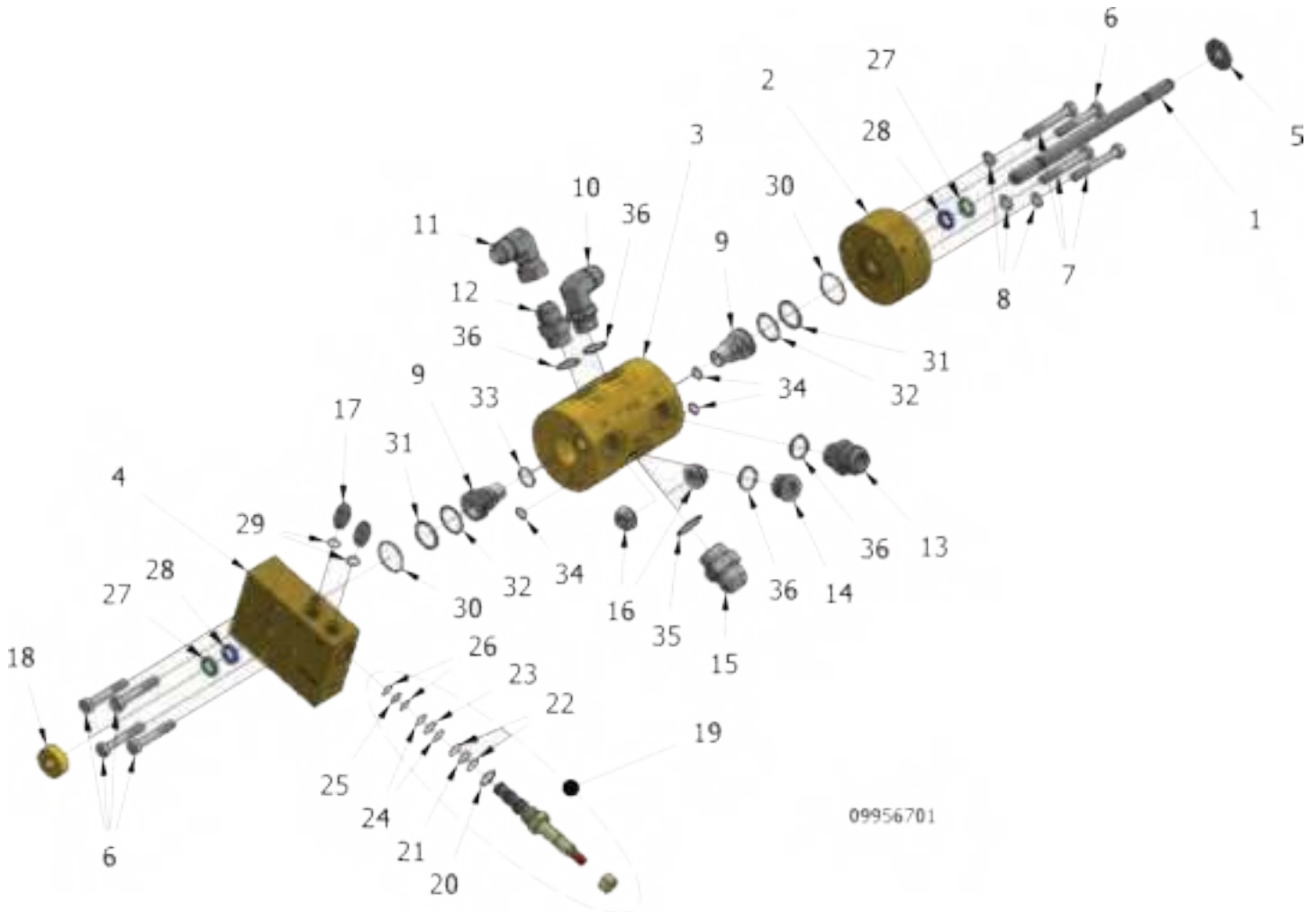
ROD TO MANIFOLD CONNECTOR COMPONENTS (sold separately)

ID #	QTY	PART #	DESCRIPTION
28	1	05828301	Rod To Manifold Connector Retainer
29	1	87075500	Washer Lock 6mm
30	1	87004101	Bolt Hex GR8.8 6mmX30mm Full Thread
31	1	05828201	Manifold To Rod Connector Bushing
32	1	84390600	210 Back-up Buna 90
33	1	84380200	210 O-Ring Buna 90

MANIFOLD SHIM PLATE**MANIFOLD SHIM PLATE (sold separately)**

ID #	QTY	PART #	DESCRIPTION
34	1	09914201	Manifold Shim Plate

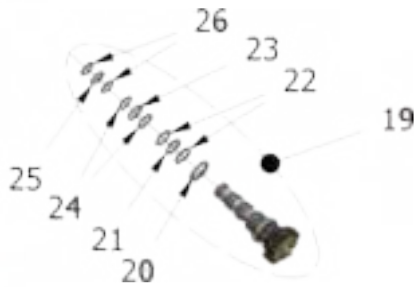
SWITCHING VALVE & CONTROL VALVE ASSEMBLY



Electric
09956701



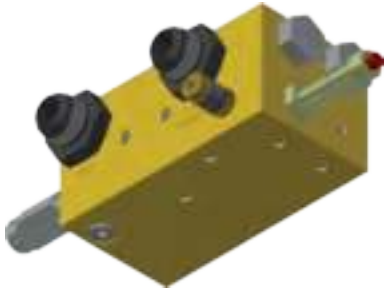
Manual
09956801



SWITCHING VALVE & CONTROL VALVE ASSEMBLY

ID#	QTY	PART #	PART #	DESCRIPTION
-	-	09956701	09956801	SWITCHING VALVE & CONTROL VALVE ASSEMBLY (Includes items 1-36)
1	1	01335502	01335502	Poppet Switching Valve Rod
2	1	04504801	04504801	Left End Cap
3	1	04504602	04504602	Body, Poppet Switching Valve, Metric
4	1	09957101	09957101	End Cap Actuator
5	1	86553500	86553500	Washer Fender 3/8"X1-1/2"
6	5	87008500	87008500	Hex Bolt - M10 x 1.5 x 60
7	3	87009500	87009500	Hex Bolt - M10 x 1.5 x 70
8	3	87076500	87076500	Lock Washer - M10
9	2	03718901	03718901	Poppet Valve w/ Actuator Piston
10	1	84691500	84691500	12 C5OX-S Straight Thread Elbow MJIC X ADJ
11	1	84688600	84688600	12 C6X-S Swivel Elbow MJIC X FJIC
12	1	84685000	84685000	12 F5OX-S Straight Thread Connector MJIC X M O-Ring
13	1	84685300	84685300	16-12 F5OX-S Straight Thread Connector MJIC X M O-Ring
14	1	84687700	84687700	12 HP5ON-S Hollow Hex Plug M O-Ring
15	1	84685400	84685400	16 F5OX-S Straight Thread Connector MJIC X M O-Ring
16	2	03718801	03718801	Poppet Valve, Center
17	2	84684000	84684000	06 F5OX-S Straight Thread Connector MJIC X M
18	1	02552101	02552101	Limit Cap, Switching Valve
19	1	85108800	-	CARTRIDGE VALVE, SOLENOID (Includes items 20-26)
19	1	-	85105200	VALVE CARTRIDGE, MRV4-10-K-O-VIC (Includes items 20-26)
-	-	85108798	85108798	Seal Kit for Cartridge Valves (Includes items 20-26)
20	1	84387200	84387200	910 O-Ring Buna 90
21	1	84375300	84375300	016 O-Ring Buna 90 (not sold separately)
22	2	84388516	84388516	O-Ring Backup 8-016 TS .030 Teflon (not sold separately)
23	1	84375290	84375290	015 O-Ring Buna 90 (not sold separately)
24	2	84388515	84388515	O-Ring Backup 8-015 TS .030 Teflon (not sold separately)
25	1	84375260	84375260	014 O-Ring Buna 90 (not sold separately)
26	2	84388514	84388514	O-Ring Backup 8-014 TS .030 Teflon (not sold separately)
27	2	84426800	84426800	Plunger Wiper Check Valve External 5/8"
28	2	84352200	84352200	Rod Seal 5/8" Check Valve External
29	2	84386800	84386800	906 O-Ring Buna 90
30	2	84378200	84378200	126 O-Ring Buna 90
31	2	84382200	84382200	216 O-Ring Buna 90
32	2	84391600	84391600	216 Back-up Buna 90
33	1	84377000	84377000	117 O-Ring Buna 90
34	3	84376200	84376200	111 O-Ring Buna 90
35	1	84387800	84387800	916 O-Ring Buna 90
36	4	84387400	84387400	912 O-Ring Buna 90
-	-	???	???	SWITCHING VALVE SEAL KIT (Includes items 20-36)

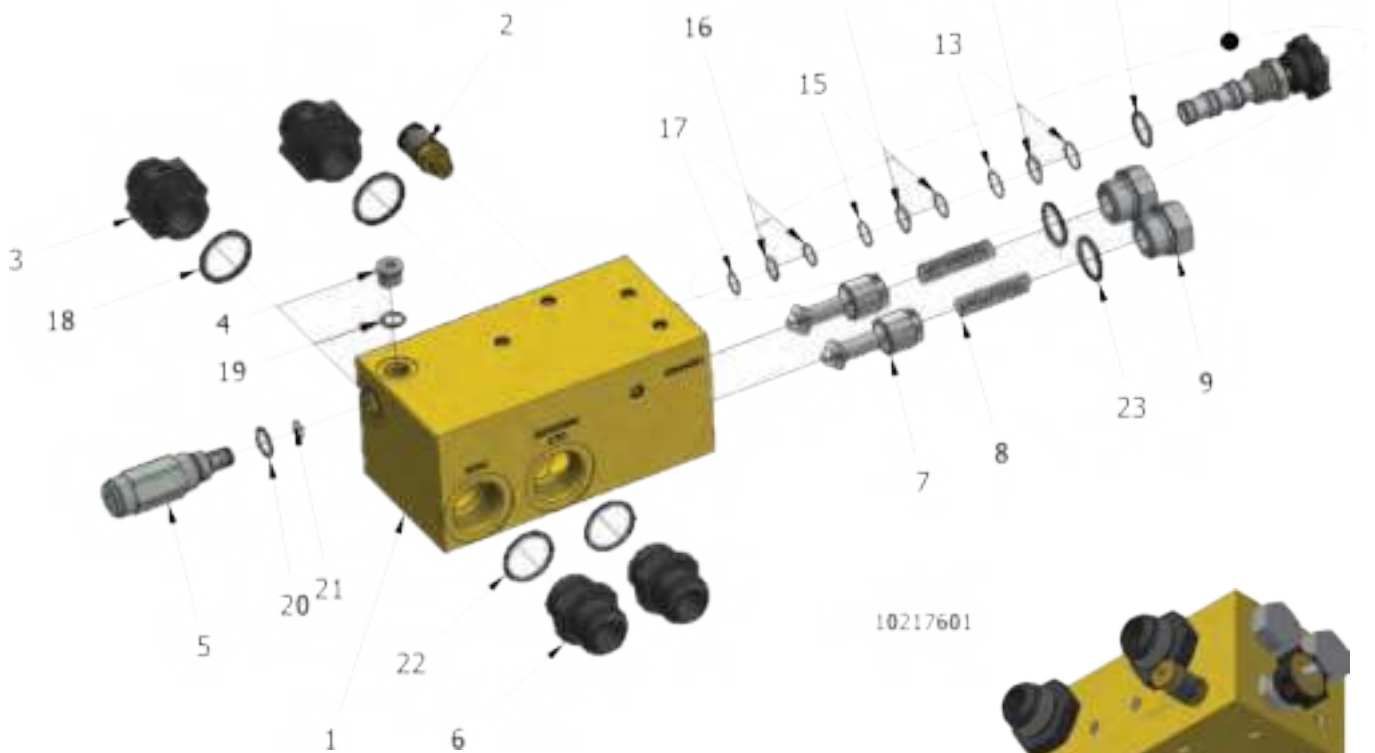
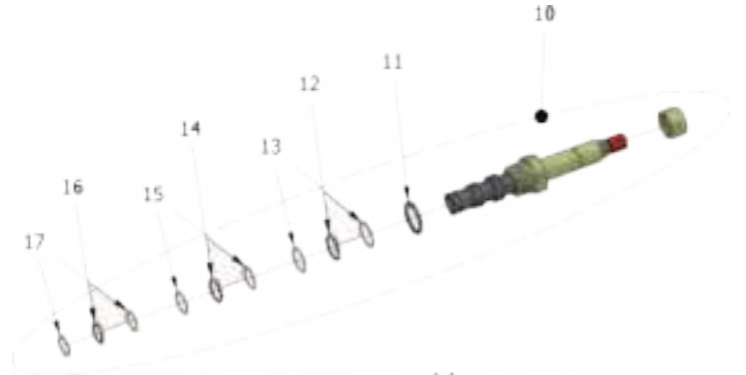
ON / OFF VALVE ASSEMBLY



Electric
10044401



Deutsch Connectors
Sold Separately
(Contact KEITH for information)



10217601

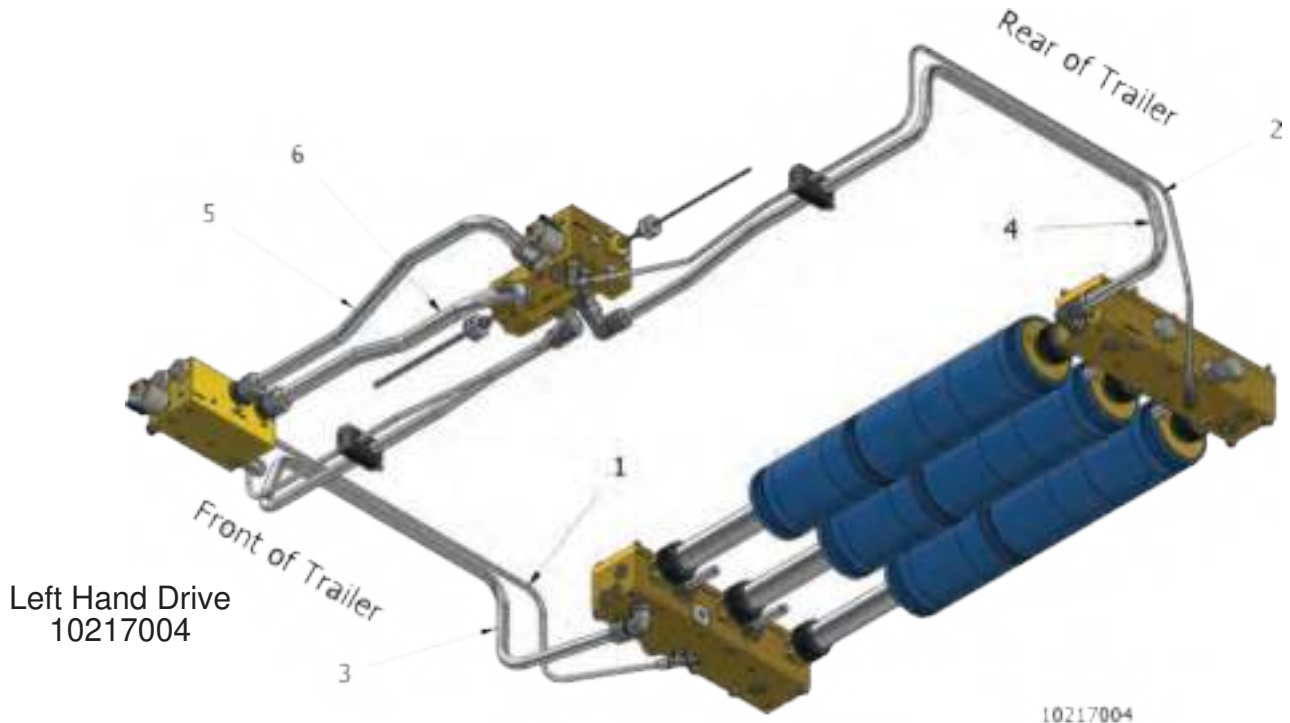


Manual
10217601

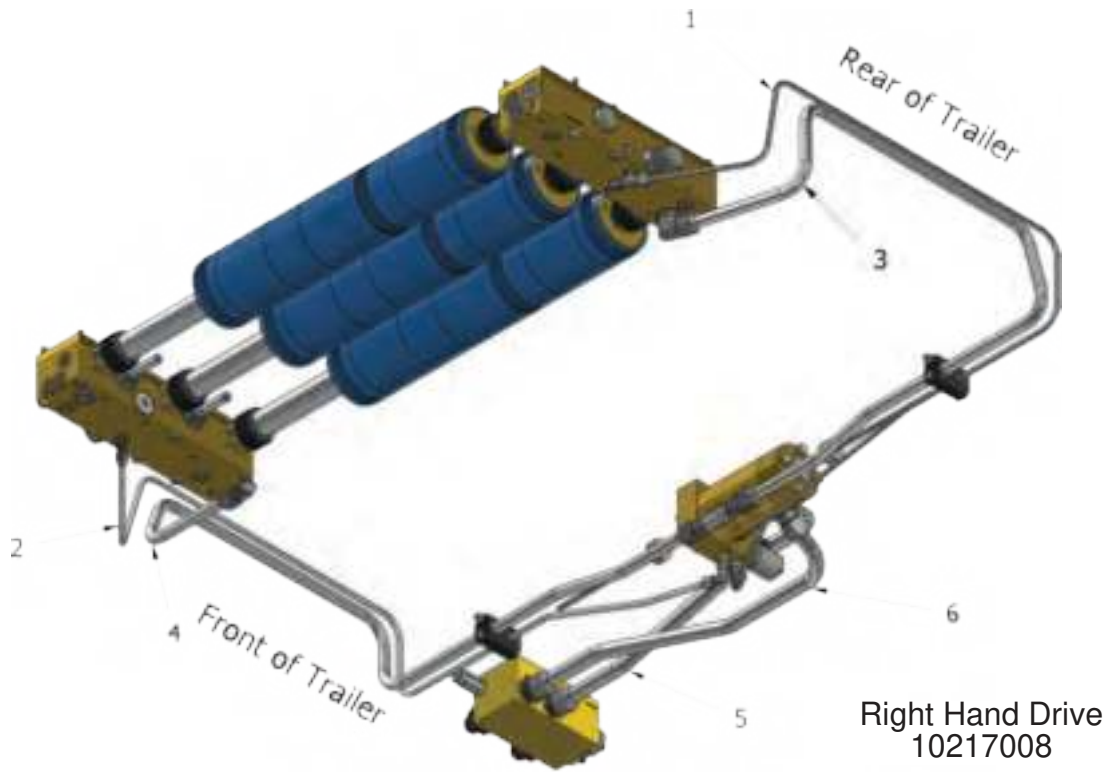
ON / OFF VALVE ASSEMBLY

ID#	QTY	PART #	PART #	DESCRIPTION
-	-	10044401	10217601	ON / OFF VALVE ASSEMBLY (Includes items 1-23)
1	1	10044301	10044301	Main Body On-Off Ball Valve
2	1	84904000	84904000	Test Coupling SMK20-G1/4VC
3	2	84671400	84671400	16 F4OMX-S Straight MJIC X BSPP
4	1	84687400	84687400	06 HP5ON-S Hollow Hex Plug M O-Ring Hex Socket
5	1	85107556	85107556	Relief Valve (1800 PSI), Hydraforce
6	2	84685400	84685400	16 F5OX-S Straight Thread Connector MJIC X M O-Ring
7	2	04438401	04438401	On\Off Poppet
8	2	84454730	84454730	71570 Spring
9	2	84686900	84686900	12 P5ON-S Hex Head Plug M O-Ring Hex Cap
10	1	85108800	-	CARTRIDGE VALVE, SOLENOID (Includes items 11-17)
10	1	-	85105200	MANUAL CONTROL VALVE ACTUATOR (Includes items 11-17)
-	-	85108798	85108798	Seal Kit for Cartridge Valves (Includes items 11-17)
11	1	84387200	84387200	910 O-Ring Buna 90
12	1	84375300	84375300	016 O-Ring Buna 90 (not sold separately)
13	2	84375290	84388516	O-Ring Backup 8-016 TS .030 Teflon (not sold separately)
14	1	84375260	84375290	015 O-Ring Buna 90 (not sold separately)
15	2	84388516	84388515	O-Ring Backup 8-015 TS .030 Teflon (not sold separately)
16	1	84388515	84375260	014 O-Ring Buna 90 (not sold separately)
17	2	84388514	84388514	O-Ring Backup 8-014 TS .030 Teflon (not sold separately)
18	2	84382600	84382600	217 O-Ring Buna 90
19	1	84386800	84386800	906 O-Ring Buna 90
20	1	84387000	84387000	908 O-Ring Buna 90
21	1	84375210	84375210	# 012 O-Ring Buna, 90 DURO
22	2	84387800	84387800	916 O-Ring Buna 90
23	2	84387400	84387400	912 O-Ring Buna 90
-	-	?????	?????	ON/OFF VALVE SEAL KIT (Includes items 11-23)

HYDRAULIC TUBING



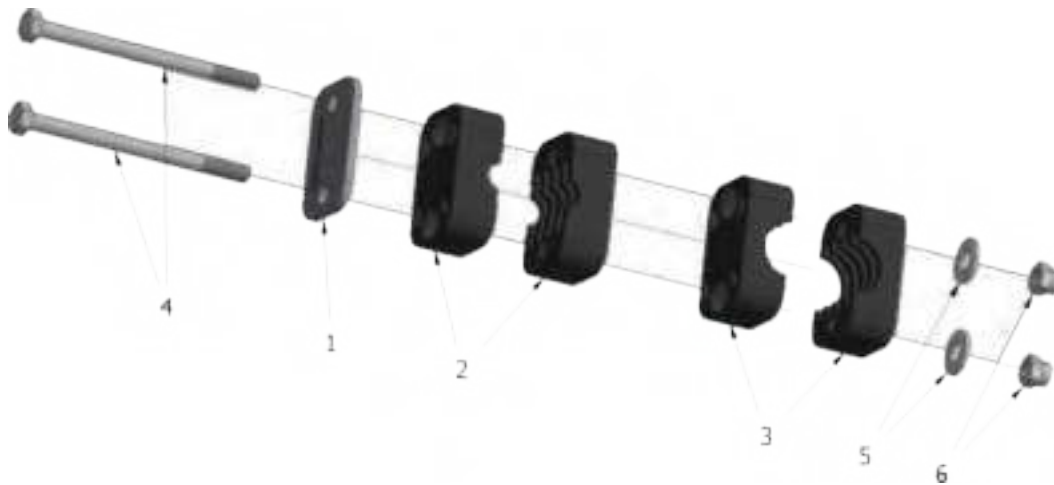
View Looking Up From Under Trailer



View Looking Up From Under Trailer

HYDRAULIC TUBING (Left or Right Hand Drive)

ID#	QTY	PART #		DESCRIPTION
		LH Drive	RH Drive	
1	1	09955301	09955301	3/8 Tube SV To Load End
2	1	09955401	09955401	3/8 Tube SV To Unload End
3	1	09955501	09955501	3/4 Tube SV To Load End
4	1	09955601	09955601	3/4 Tube SV To Unload End
5	1	<i>09955901</i>	<i>10065001</i>	1.0 Tube SV To Tank
6	1	<i>09956001</i>	<i>10065101</i>	1.0 Tube SV To Tank



HYDRAULIC TUBE CLAMP

ID #	QTY	PART #	DESCRIPTION
1	1	84751200	Cover Plate COP-03
2	2	84750100	Clamp 3/8" Tube 3038-PP Special
3	2	84750200	Clamp 3/4" Tube 3190-PP
4	2	87004600	Bolt Hex GR8.8 6mmx85mm
5	2	86551000	Washer Flat 1/4"
6	2	87100500	Nut Hex Nylock 6mm