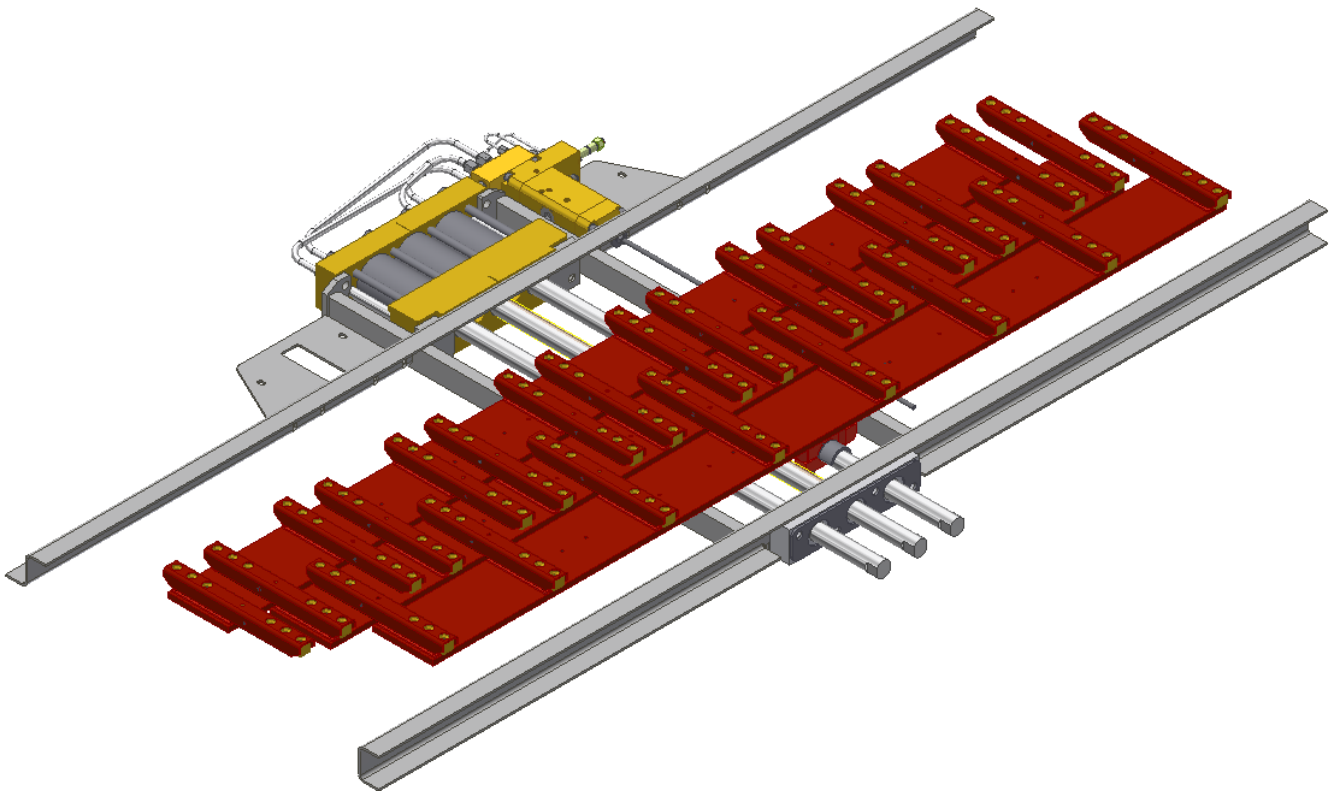


KEITH®

KMD 250 / KMD 300

KEITH Manufacturing Co.
World Headquarters
Toll Free: 800-547-6161
Phone: 541-475-3802
Fax: 541-475-2169



PARTS CATALOG

© 2019, KEITH Manufacturing Co. All rights reserved KEITH, WALKING FLOOR are registered trademarks of KEITH Manufacturing Co. Equipment manufactured by KEITH Manufacturing Co. is protected by numerous patents both domestic and foreign. WALKING FLOOR® is a product and brand of Keith Manufacturing Co.

Revised: 1/7/2019

Introduction

We at KEITH Mfg. Co. thank you for having chosen to equip your trailer with a KEITH® *WALKING FLOOR*® unloading system. We take great pride in the fact that we manufacture the simplest and lowest maintenance self-unloading systems available. Installing the KEITH® M-SERIES SYSTEM unloader in your trailer provides you with the versatility to load or unload virtually any type of material.

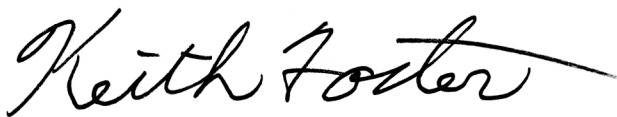
The following pages contain the parts and components that make up a KEITH® M-SERIES SYSTEM unloader, as well as a variety of drawings and schematics of your system. In addition, we maintain a website at www.keithwalkingfloor.com which serves as a resource from which manuals and parts catalogs can be downloaded.

We have provided information on the maintenance of the system in the Owner's Manual. Please be sure to use the recommended methods and specifications for any maintenance or parts replacements. Failure to follow the guidelines can lead to your system operating improperly and voiding your warranty.

Please review the entire manual before operating or performing maintenance on the KEITH® M-SERIES SYSTEM unloading system. If you have any questions or concerns, do not hesitate to contact our factory toll-free at 800-547-6161 or via email at techdept@keithwalkingfloor.com and our trained personnel will be happy to assist you.

Thank you again for equipping your trailer with a KEITH® M-SERIES SYSTEM unloader.

Sincerely,



Keith Foster
Founder



Mark Foster
President

Table of Contents

Introduction	i
DRIVE FRAME & ROD BEARING BLOCK ASSEMBLY.....	1
CROSS-DRIVE ASSEMBLY.....	2
CYLINDER PACK ASSEMBLY.....	3
CHECK VALVE ASSEMBLY.....	5
RESTRICTOR VALVE ASSEMBLY.....	6
CROSS-DRIVE SUPPORT ASSEMBLY.....	7
SWITCHING VALVE ASSEMBLY.....	9
SWITCHING VALVE ACTUATOR ASSEMBLY.....	11
LEFT HAND DRIVE INSIDE TUBES.....	13
LEFT HAND DRIVE OUTSIDE TUBES.....	14
RIGHT HAND DRIVE INSIDE TUBES.....	15
RIGHT HAND DRIVE OUTSIDE TUBES.....	16

Parts and Service Department Contact Information

KEITH Manufacturing Co.
World Headquarters
Parts & Service
401 NW Adler St.
P.O. Box 1
Madras, OR 97741
800-547-6161
541-475-3802
541-475-2169 fax
Sales@KeithWalkingFloor.com

Canada
Brantford, ON
(519) 756-9178
CanadaSales@KeithWalkingFloor.com

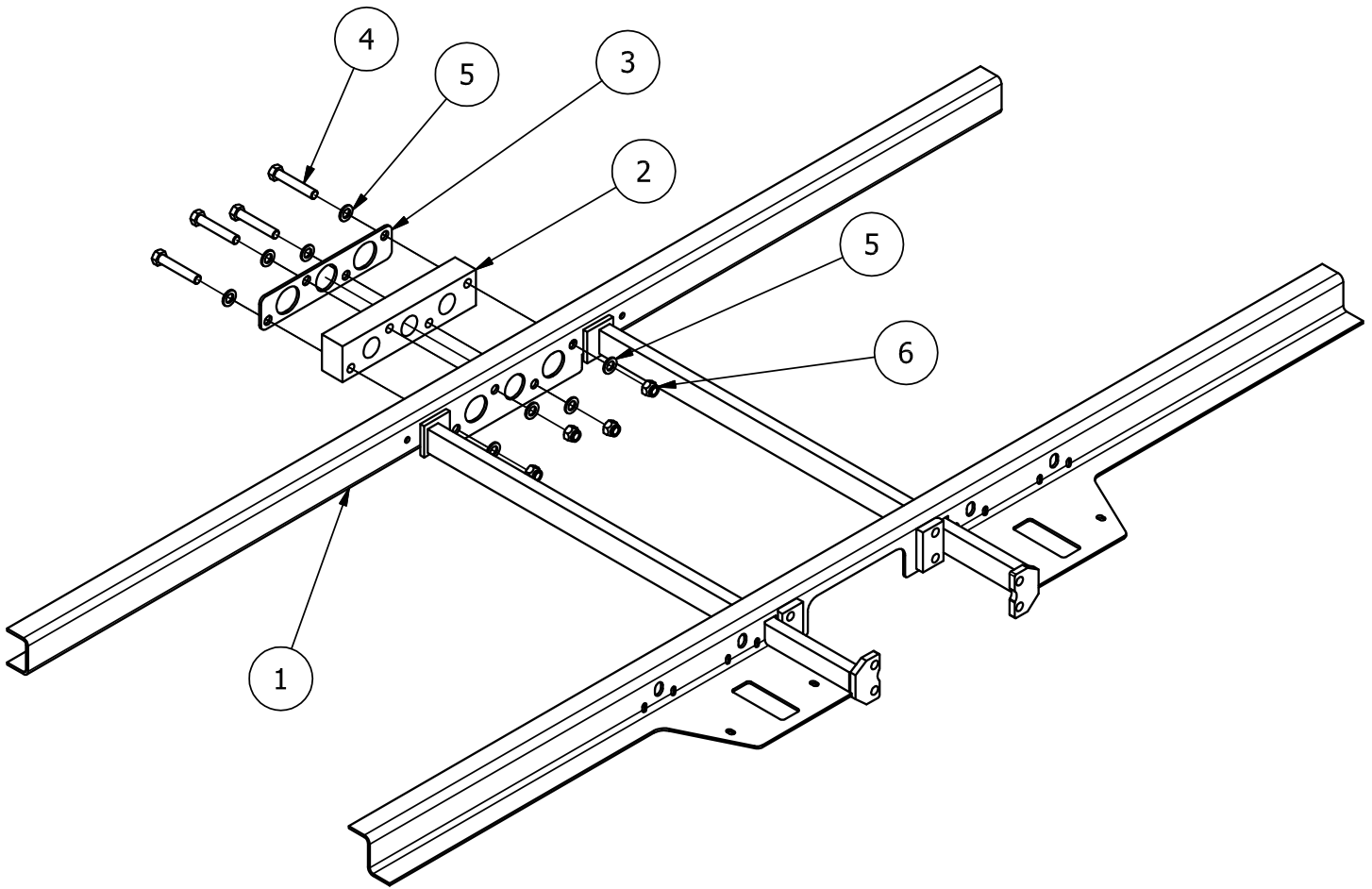
México
Guadalajara, Jal.
52-333-616-5079
KMC_Mexico@KeithWalkingFloor.com

Australia
Waverley Gardens, VIC
61-3-9562-2190
AUSales@KeithWalkingFloor.com

Europe
Barneveld, The Netherlands
31-342-422007
EuroSales@KeithWalkingFloor.com

Not all parts or services available in all regions. Contact your regional representative for information on available parts and services.

DRIVE FRAME & ROD BEARING BLOCK ASSEMBLY

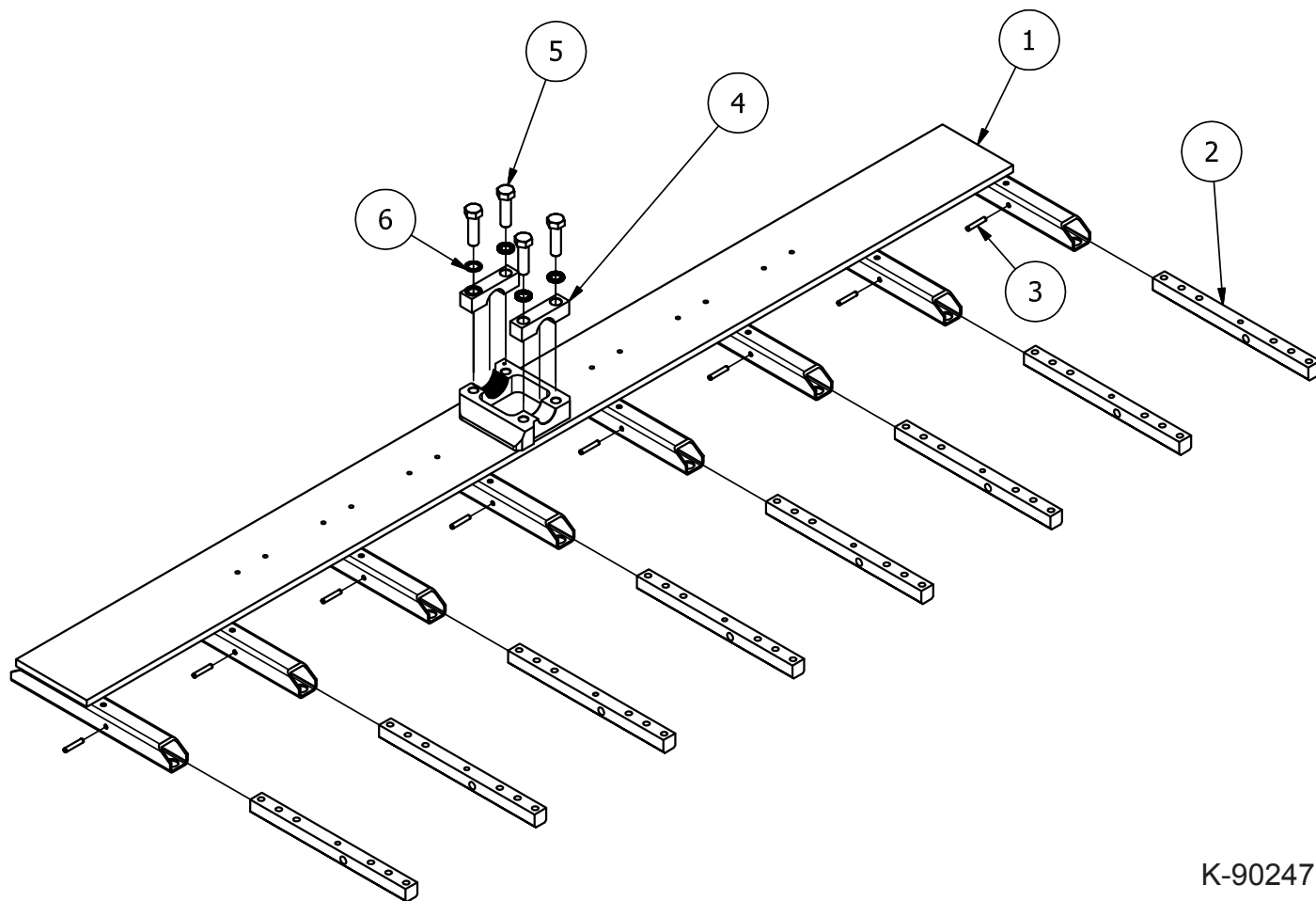


K-90262

Drive Frame and Rod Bearing Block Assembly

ID #	QUANTITY	DESCRIPTION	PART NUMBER
-	1	KMD Drive Frame Assembly, 3.0" (Includes Items 1-6)	09026201
-	1	KMD Drive Frame Assembly, 80mm (Includes Items 1-6)	09026202
1	1	KMD Drive Frame, 3.0"	05117301
1	1	KMD Drive Frame, 80mm	05397701
2	1	UHMW Rod Bearing Block, 3.65" Cylinder Centers	05120801
2	1	UHMW Rod Bearing Block, 97mm Cylinder Centers	05037101
3	1	Rod Bearing Cover Plate	05037001
4	4	Bolt, M16mm x 90mm	87017600
5	8	Flat Washer, 16mm	87077500
6	4	Nylock Nut, 16mm	87103010

CROSS-DRIVE ASSEMBLY

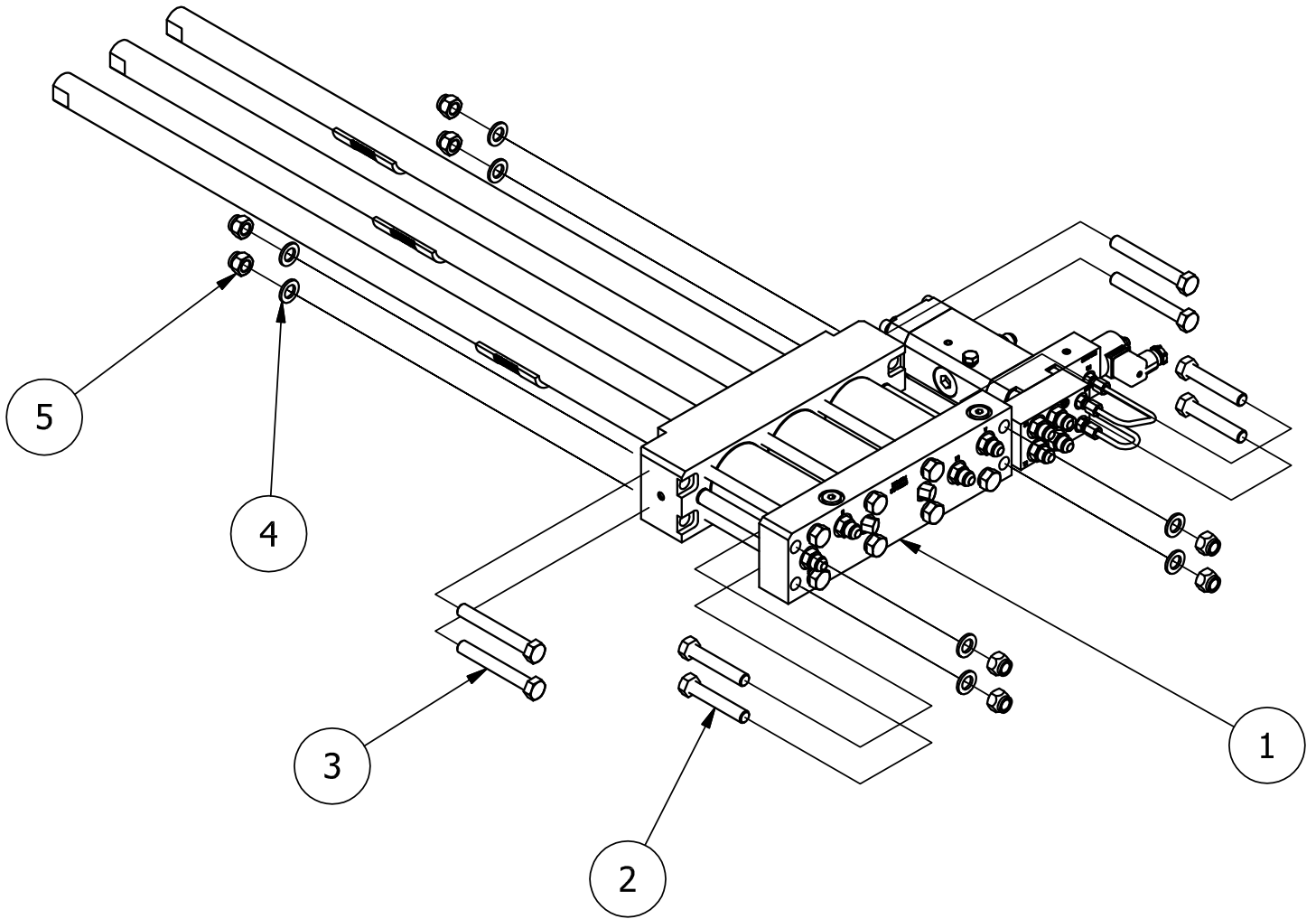


K-90247

KMD 250 / 300 Cross Drive Assembly

ID #	QUANTITY	DESCRIPTION	PART NUMBER
1	1	Cross-Drive Assembly KMD (18 Slat/3.65" Cylinder Centers)	05129002
1	1	Cross-Drive Assembly KMD (18 Slat/97mm Cylinder Centers)	05129202
1	1	Cross-Drive Assembly KMD (21 Slat/3.65" Cylinder Centers)	05225902
1	1	Cross-Drive Assembly KMD (21 Slat/97mm Cylinder Centers)	05129302
1	1	Cross-Drive Assembly KMD (24 Slat/3.65" Cylinder Centers)	05194902
1	1	Cross-Drive Assembly KMD (24 Slat/97mm Cylinder Centers)	05150502
-	-	Cross-Drive Assemblies Include Items 2-6	-
2	Varies	Drive Shoe Nut Bar	05037702
3	Varies	Roll Pin 1/4" x 1-1/2"	86651450
4	2	Lower Cross-Drive Clamp	04433001
5	4	Bolt M16x55mm	87016520
6	4	Nord-lock Washer 5/8"	86559090

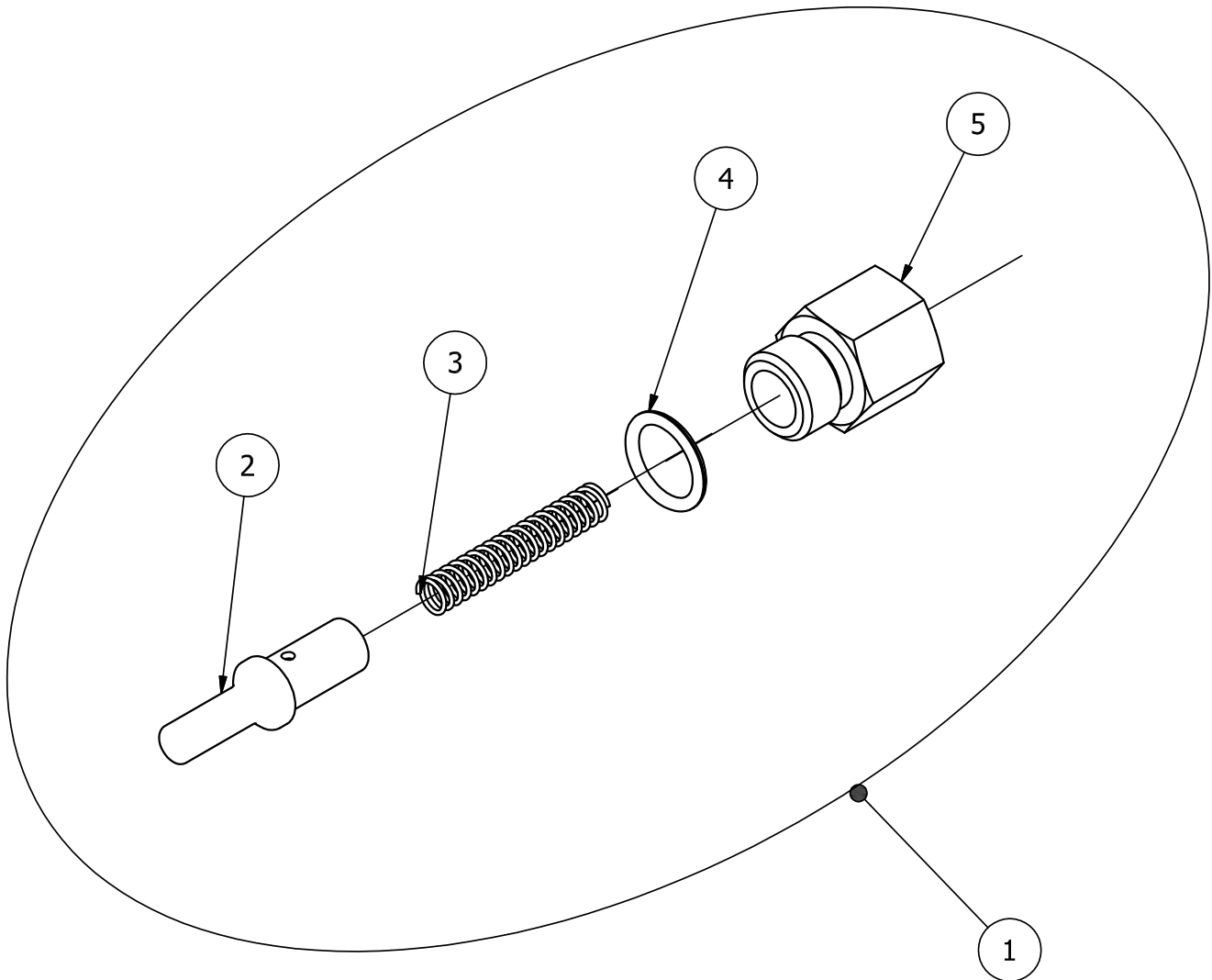
CYLINDER PACK ASSEMBLY



Cylinder Pack Assembly

ID #	QUANTITY	DESCRIPTION	PART NUMBER
1	1	Cylinder Pack Assembly KMD 250 (3.65" Cylinder Centers) (Includes Items 2-6)	07504902
1	1	Cylinder Pack Assembly KMD 300 (3.65" Cylinder Centers) (Includes Items 2-6)	07504201
1	1	Cylinder Pack Assembly KMD 250 (97mm Cylinder Centers) (Includes Items 2-6)	07817401
1	1	Cylinder Pack Assembly KMD 300 (97mm Cylinder Centers) (Includes Items 2-6)	07816901
1	1	Cylinder Pack Assembly KMD 300 (3.65" Cylinder Centers) Short Stroke (Includes Items 2-6)	05390101
1	1	Cylinder Pack Assembly KMD 250 (97mm Cylinder Centers) Short Stroke (Includes Items 2-6)	05431001
1	1	Cylinder Pack Assembly KMD 300 (97mm Cylinder Centers) Short Stroke (Includes Items 2-6)	05390201
-	-	-	-
2	4	Bolt 16mmx90mm	87017600
3	4	Bolt 16mmx120mm	87018500
4	8	Flat Washer 16mm	87077500
5	8	Nylock Nut 16mm	87103010
-	-	-	-
6	1	Seal Kit KMD 250 (Not shown)	05367801
6	1	Seal Kit KMD 300 (Not shown)	05367901

CHECK VALVE ASSEMBLY

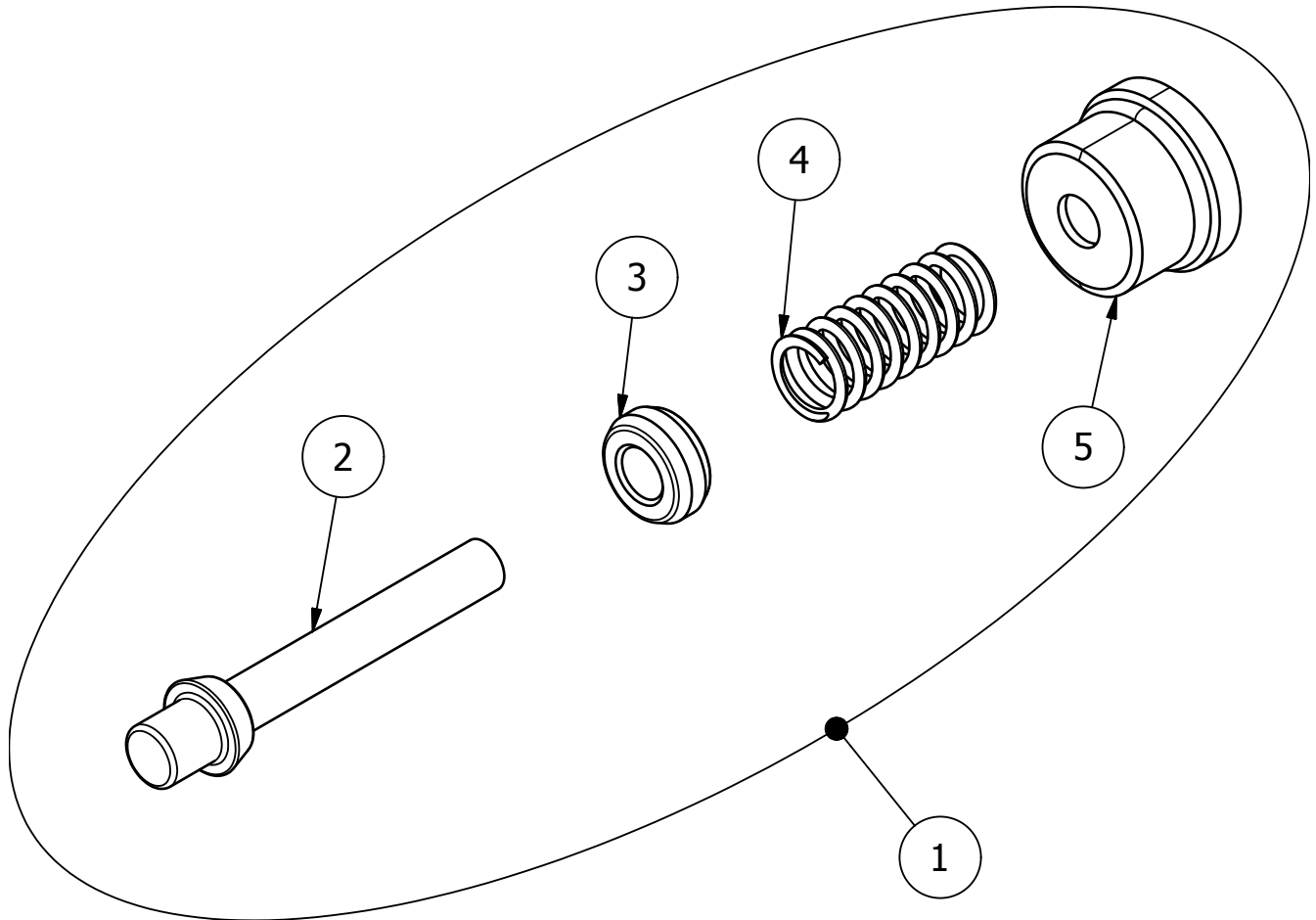


K-87689

KMD 250 / 300 Check Valve Assembly

ID #	QUANTITY	DESCRIPTION	PART NUMBER
1	4	KMD 250 / 300 Check Valve Assembly (Includes Items 2-5)	08768901
2	1	KMD 250 / 300 Check Valve Poppet	07504701
3	1	Spring B3-43	84450220
4	1	O-Ring 906	84386800
5	1	Extended Hex Cap -6	06351701

RESTRICTOR VALVE ASSEMBLY

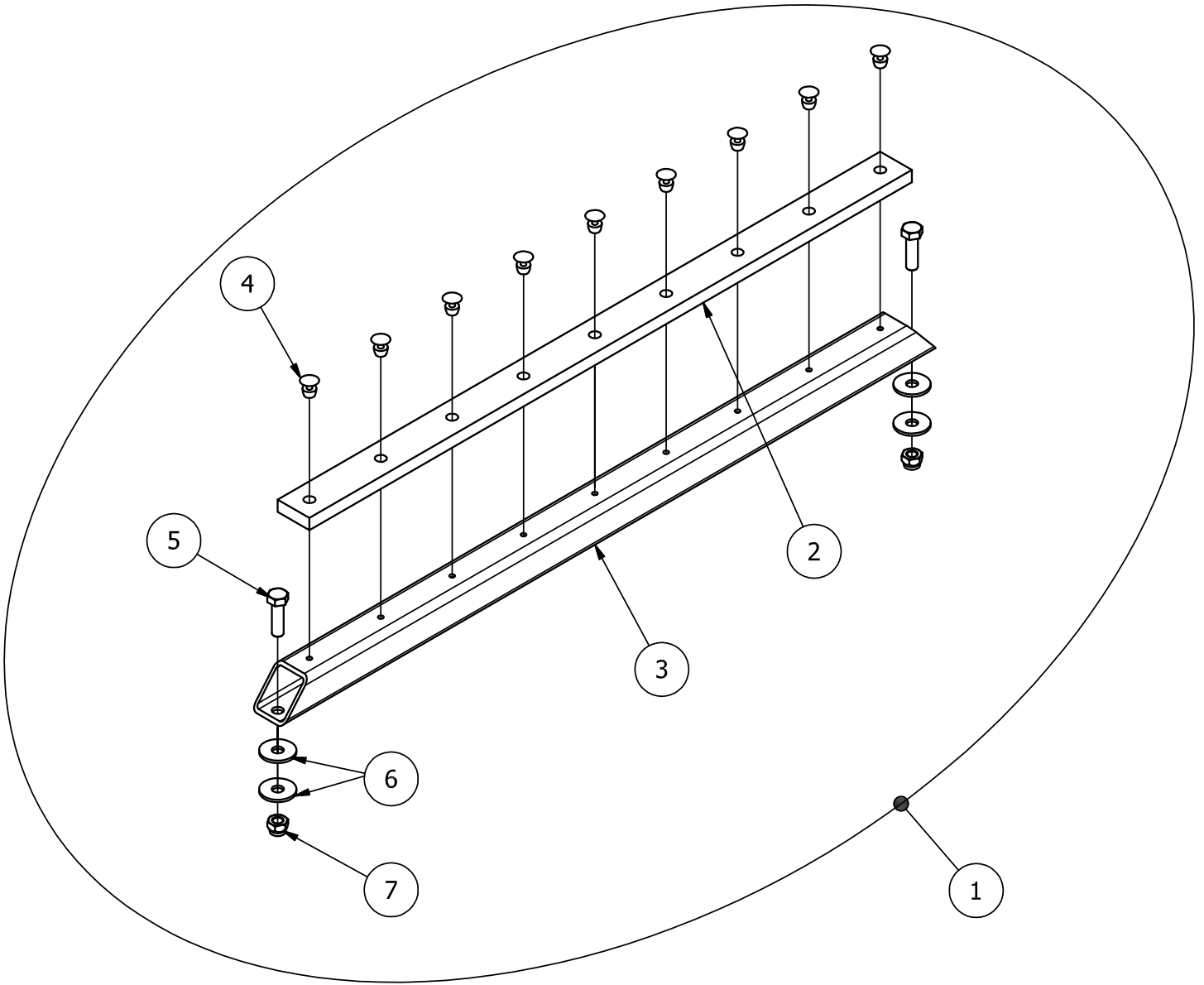


K-87690

KMD 250 / 300 Restrictor Valve Assembly

ID #	QUANTITY	DESCRIPTION	PART NUMBER
1	4	KMD 250 / 300 Restrictor Valve Assembly (Includes Items 2-5)	08769001
2	1	KMD 250 / 300 Restrictor Valve Rod	05110701
3	1	KMD 250 / 300 Restrictor Valve Collar	05110901
4	1	Spring 71401	84457000
5	1	SAE O-Ring Hex Socket, -8, Parker	05110601

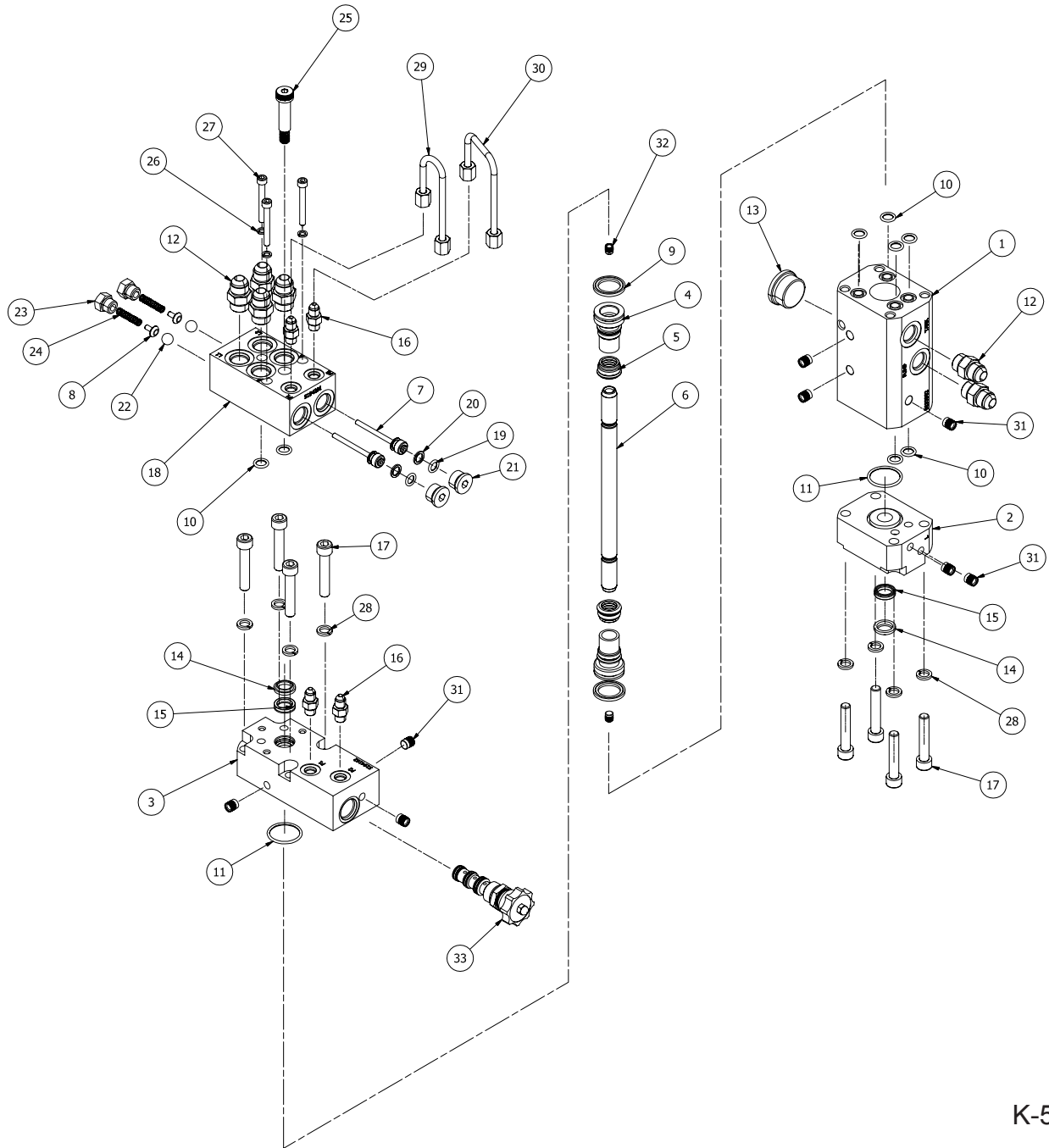
CROSS-DRIVE SUPPORT ASSEMBLY



KMD 250 / 300 Cross Drive Support Assembly

ID #	QUANTITY	DESCRIPTION	PART NUMBER
1	2	Cross-Drive Support Assembly (3" Cross-Member) (Includes Items 2-7)	05233201
2	1	UHMW 3/8" Cross-Drive Support Bearing	05236601
-	-	-	-
1	2	Cross-Drive Support Assembly (80mm Cross-Member) (Includes Items 2-7)	05233301
2	1	UHMW 1/2" Cross-Drive Support Bearing	05236602
-	-	-	-
3	1	KMD Cross-Drive Support Tube	05473701
4	2	Bolt 10mm x 35mm	87008510
5	4	Large OD 3/8" Washer	86553500
6	2	Nylock Nut 10mm	87102000
7	9	Pop Rivet 3/16" x 3/8'	86528000

SWITCHING VALVE ASSEMBLY



K-51537

KMD 250 / 300 Switching Valve Assembly

ID #	QUANTITY	DESCRIPTION	PART NUMBER
-	1	Switching Valve Assembly, KMD 250/300, Manual Control Valve (Includes Items 1-33)	05153701
-	1	Switching Valve Assembly, KMD 250/300 Electric Control Valve (Includes Items 1-33)	05153702

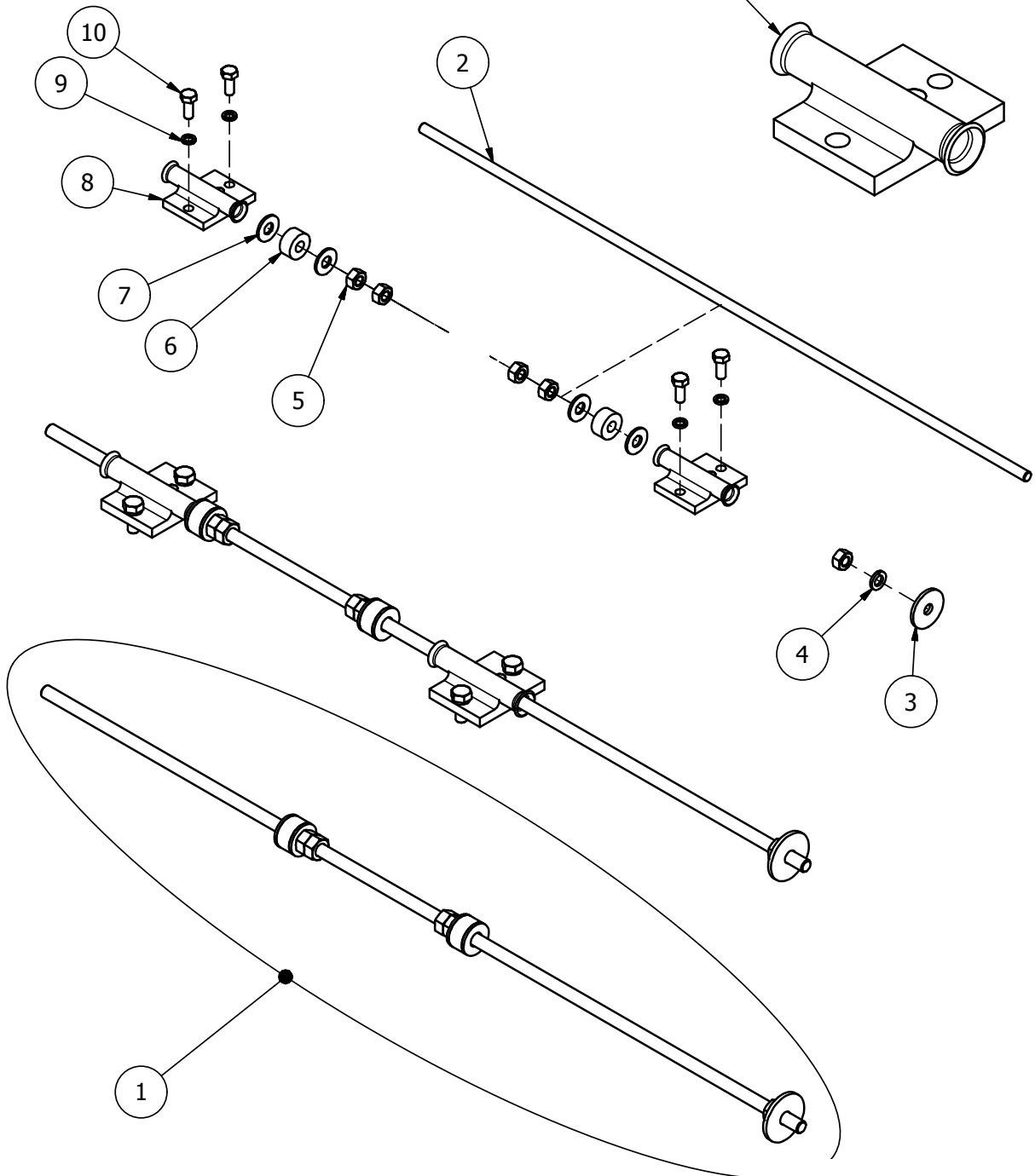
SWITCHING VALVE COMPONENTS

M-SERIES SYSTEM

1	1	Switching Valve Body, KMD 250/300	05193902
2	1	Left End Cap, Switching Valve, KMD 250/300	05194001
3	1	Right End Cap, Switching Valve, KMD 250/300	05194102
4	2	Poppet KMD Switching Valve	05194301
5	2	Poppet Ring	05194401
6	1	Poppet Switching Valve Rod	01335502
7	2	9/16" Check Valve Poppet Stretched Control Valve	05110501
8	2	Spring Follower	05110801
9	2	Seal, KMD 250/300 Poppet	84355050
10	8	111 O-Ring Buna 90	84376200
11	2	124 O-Ring Buna 90	84378000
12	6	08 F5ox-S Straight Thread Connector Mjic X M O-Ring	84684300
13	1	16 Hp5on-S Hollow Hex Plug M O-Ring Hex Socket	84687900
14	2	Plunger Wiper Check Valve External 5/8"	84426800
15	2	Seal Rod 5/8" 005-053-Odoa	84352210
16	4	04 F5ox-S Straight Thread Connector Mjic X M O-Ring	84683800
17	8	Bolt Socket Head 10mmx55mm	87008537
18	1	Integrated Control Valve Body, KMD 250/300 Switching Valve	05194201
19	2	110 O-Ring Buna 90	84376000
20	2	110 Back-Up Buna 90	84388890
21	2	08 Hp5on-S Hollow Hex Plug M O-Ring Hex Socket	84687500
22	2	Steel Ball, Chrome, 15/32	84800530
23	2	06 P5on-S Hex Head Plug M O-Ring Hex Cap	84686600
24	2	Spring I-65	84450850
25	1	Shoulder Bolt, 12x40mm, Modified	87012460
26	3	Hi-Collar Lock Washer - M6	87075510
27	3	Hex Socket Head Cap Screw - M6x1 X 50	87004410
28	8	Hi-Collar Lock Washer - M10	87076510
29	1	Pilot Line, P1 - P1	05225701
30	1	Pilot Line, P2 - P2	05227601
31	8	Expander Plug, 10mm	85101136
32	2	Expander Plug, 8mm	85101130
33	1	Cartridge Assembly, Manual Control Valve	85105200
33	1	Cartridge Assembly, Electric Control Valve	85108800
34	-	Switching Valve Seal Kit, KMD 250/300	05368001

SWITCHING VALVE ACTUATOR ASSEMBLY

NOTE: TUBE IS WELDED TO ACTUATOR PLATE IN PLACE.

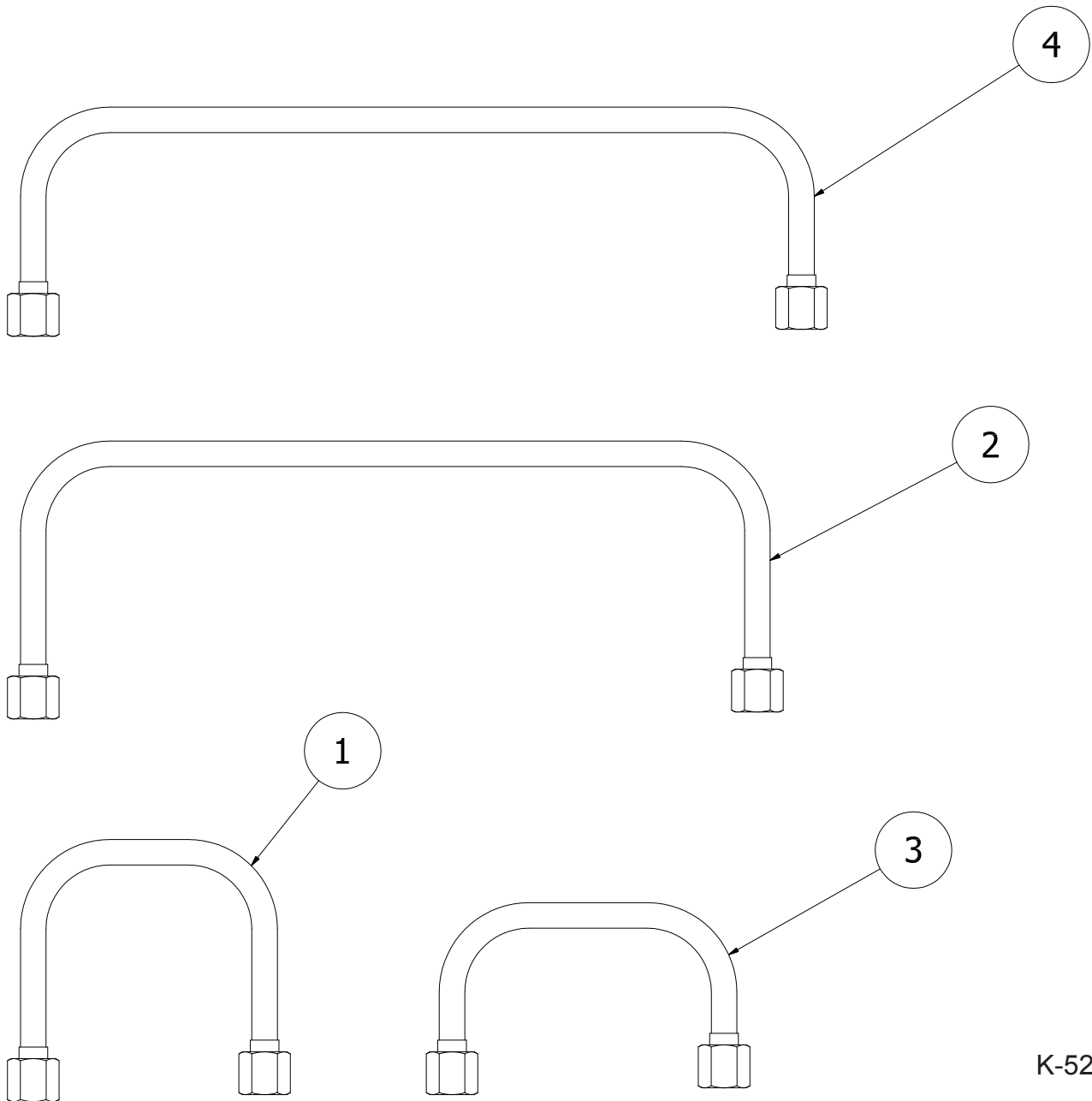


K-88501

KMD 250 / 300 Switching Valve Actuator Assembly

ID #	QUANTITY	DESCRIPTION	PART NUMBER
1	4	KMD 250 / 300 Switching Valve Actuator Assembly (Includes Items 2-7)	08838001
2	1	10mm Threaded Rod, 737mm (29") long	87151005
3	1	3/8" x 1-1/2" Fender Washer	86553500
4	1	10mm Lock Washer	87076500
5	5	10mm Hex Nut	87101500
6	2	Grommet	83217512
7	4	3/8" x 1 x 0.083" Flat Washer	86554001
8	2	Tube Actuator	05171101
9	4	M8 x 1.25 x 20 Hex Bolt	87005770
10	4	M8 Lock Washer	87075750

LEFT HAND DRIVE INSIDE TUBES

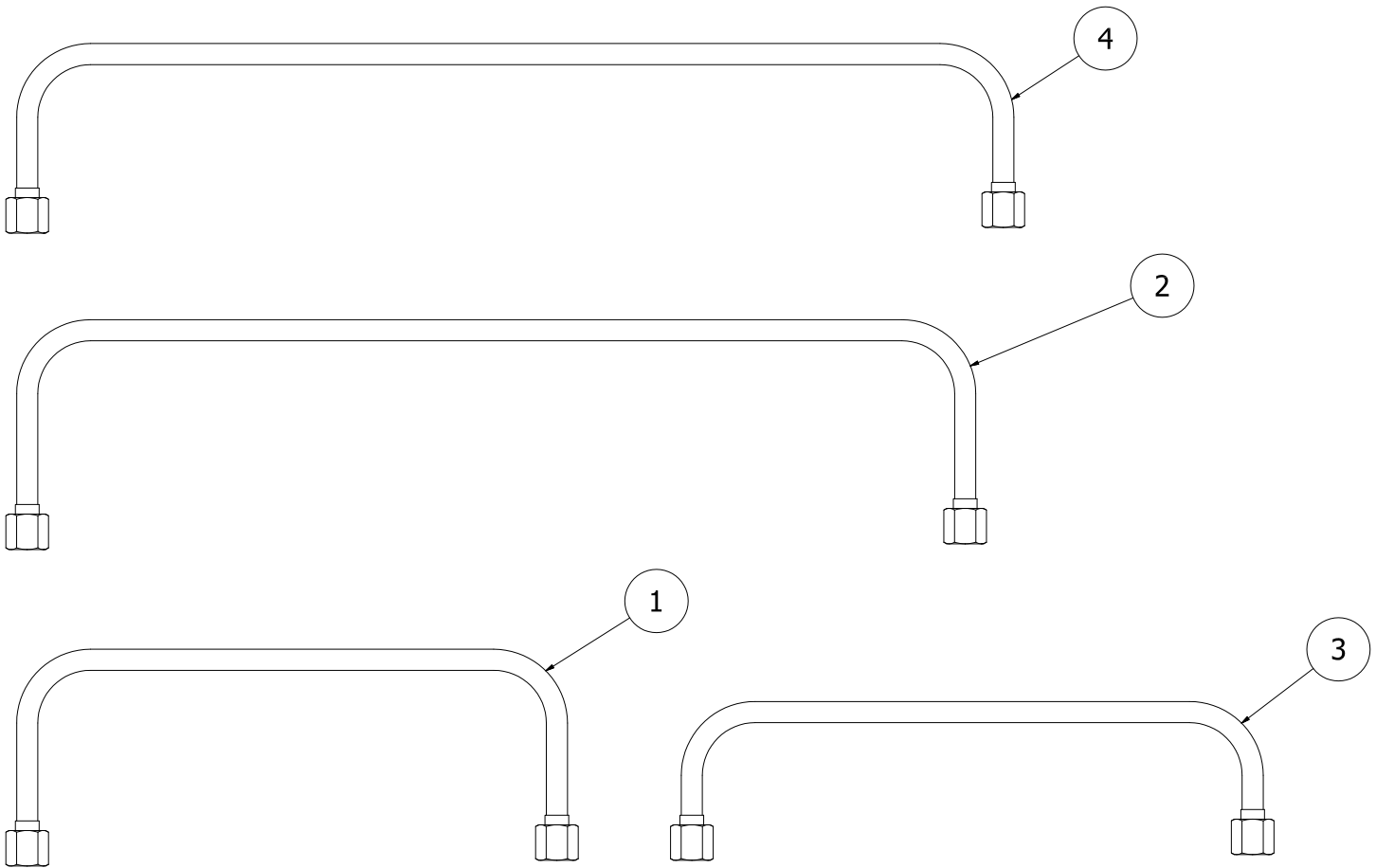


K-52328

KMD 250 / 300 Left Hand Drive Inside Tubes

ID #	QUANTITY	DESCRIPTION	PART NUMBER
	1	KMD Left Hand Drive Inside Tube Package (Includes Items 1-4)	05232801
1	1	KMD 1/2" Tube, Left Hand Drive, Inside A-A	05222801
2	1	KMD 1/2" Tube, Left Hand Drive, Inside B-B	05222901
3	1	KMD 1/2" Tube, Left Hand Drive, Inside L1-L1	05223001
4	1	KMD 1/2" Tube, Left Hand Drive, Inside L2-L2-A	05223101

LEFT HAND DRIVE OUTSIDE TUBES

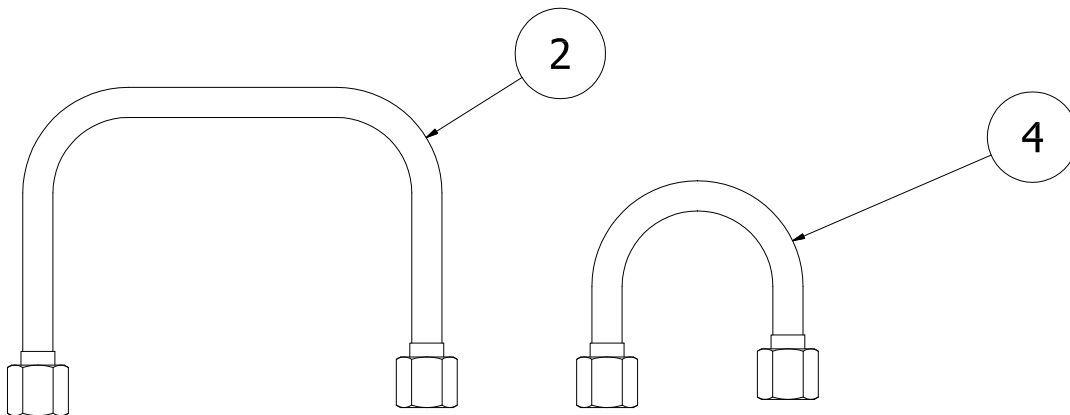


K-52327

KMD 250 / 300 Left Hand Drive Outside Tubes

ID #	QUANTITY	DESCRIPTION	PART NUMBER
	1	KMD Left Hand Drive Outside Tube Package (Includes Items 1-4)	05232701
1	1	KMD 1/2" Tube, Left Hand Drive, Outside A-A	05223201
2	1	KMD 1/2" Tube, Left Hand Drive, Outside B-B	05223301
3	1	KMD 1/2" Tube, Left Hand Drive, Outside L1-L1	05223401
4	1	KMD 1/2" Tube, Left Hand Drive, Outside L2-L2-A	05223501

RIGHT HAND DRIVE INSIDE TUBES

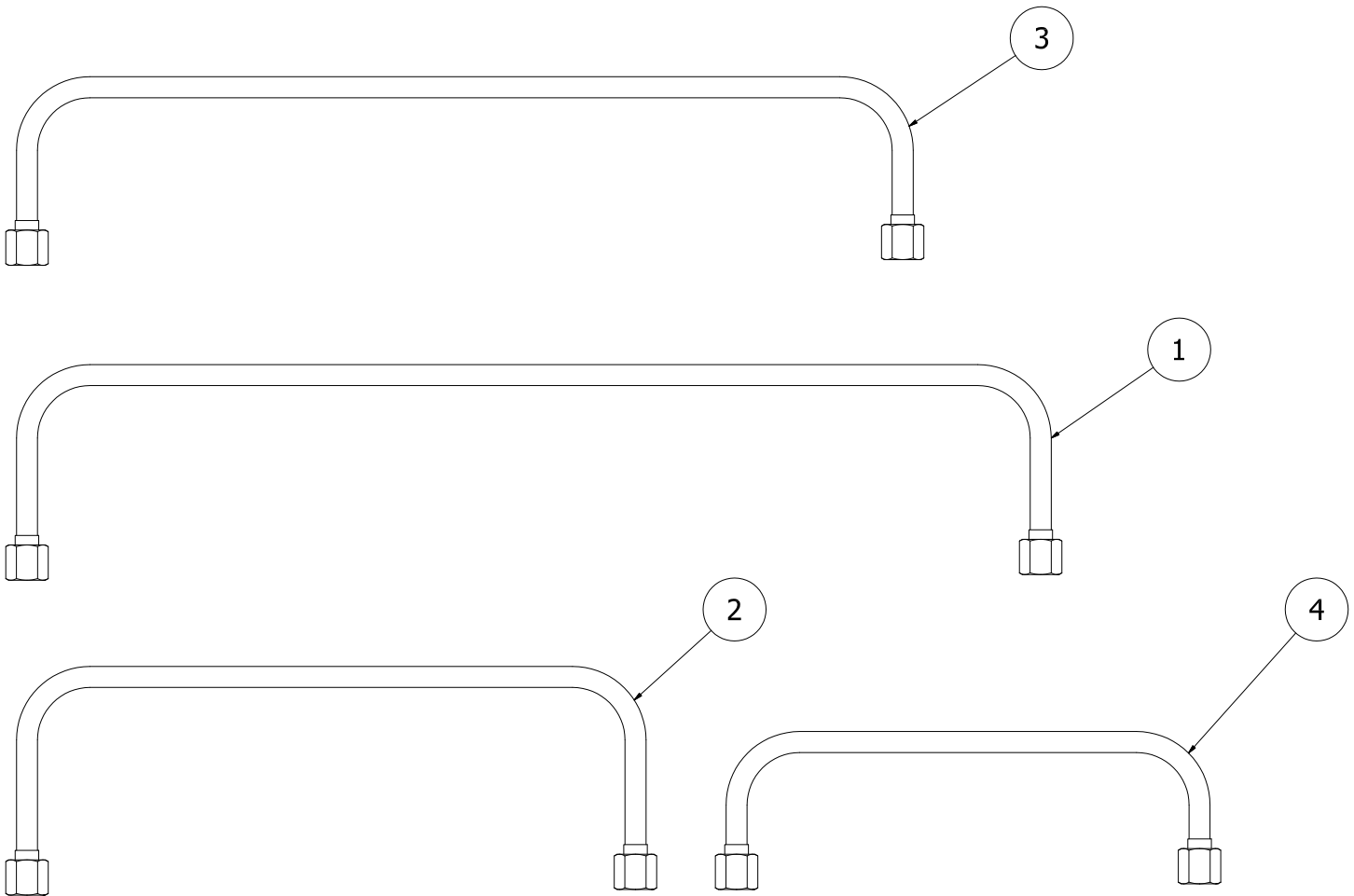


K-52330

KMD 250 / 300 Right Hand Drive Inside Tubes

ID #	QUANTITY	DESCRIPTION	PART NUMBER
	1	KMD Right Hand Drive Inside Tube Package (Includes Items 1-4)	05233001
1	1	KMD 1/2" Tube, Right Hand Drive, Inside A-A	05223601
2	1	KMD 1/2" Tube, Right Hand Drive, Inside B-B	05223701
3	1	KMD 1/2" Tube, Right Hand Drive, Inside L1-L1	05223801
4	1	KMD 1/2" Tube, Right Hand Drive, Inside L2-L2-A	05223901

RIGHT HAND DRIVE OUTSIDE TUBES



K-52329

KMD 250 / 300 Right Hand Drive Outside Tubes

ID #	QUANTITY	DESCRIPTION	PART NUMBER
	1	KMD Right Hand Drive Outside Tube Package (Includes Items 1-4)	05232901
1	1	KMD 1/2" Tube, Right Hand Drive, Outside A-A	05224001
2	1	KMD 1/2" Tube, Right Hand Drive, Outside B-B	05224101
3	1	KMD 1/2" Tube, Right Hand Drive, Outside L1-L1	05224201
4	1	KMD 1/2" Tube, Right Hand Drive, Outside L2-L2-A	05224301